



Charder

Medical scale

User instruction (UK)

Important information

This user instruction must be read before the medical scale is used.

This user instruction is intended for technicians, installers, therapists and other personnel, in connection with the use, servicing and maintenance of the product.

Date: 09.07.2018 - Version 04



Scan the QR code for further information

TABLE OF CONTENTS

PREFACE	4
GENERAL INFORMATION	4
SAFETY INSTRUCTION	4
ENVIRONMENTAL SAFETY	5
CLEANING	5
MAINTENANCE	5
WARRANTY-LIABILITY	6
READING BEFORE USE	6
SPECIFICATIONS	8
PANEL INDICATION	9
KEY FUNCTIONS	10
FEATURE SETTINGS	11
OPERATION FLOW	11
SETTING UP YOUR SCALE STEP BY STEP	12
INSTRUCTION FOR REPLACING BATTERY	13
ERROR MESSAGE	14

PREFACE

Thanks you for choosing a CHARDER MEDICAL product. All features of this product were designed to state of the art and are optimized for simple and straightforward use.

If you have any queries or experience any problems not described in the user instruction, please contact Winncare Nordic - www.Winncare.dk or www.chardermmedical.com

GENERAL INFORMATION

We strongly recommend you to use the scale on flat and hard surface. Any soft surface, like carpet will cause inaccuracy.

SAFETY INSTRUCTION



Before putting the scale into use, please read the user instruction. It contains important instructions for installation, proper use and maintenance of the scale.

The manufacturer shall not be liable for damages arising out of failure to heed the following instruction:

- When using electrical components under increased safety requirements, always comply with the appropriate regulations. Improper installation will render the warranty null and void.
- This scale is designed for use indoors.
- Observe the permissible ambient temperatures for use.
- The device meets the requirements for electromagnetic compatibility. Do not exceed the maximum values specified in the applicable standards.
- Ensure that the patient does not lean against the device risk of falling!

If you have any problem, contact:

Winncare Nordic ApS
Taarnborgvej 12C, 4220 Korsøer, DK
Phone +45 70 27 37 20 or fax. +45 70 27 37 19
E-mail: info@Winncare.dk

ENVIRONMENTAL SAFETY

- All batteries contain toxic compounds. Disposal of batteries should be delegated to a competent organization, complying with the deposit of Poisonous Waste Regulation 1972. Please do not incinerate batteries.
- You are legally obliged to hand in used batteries/rechargeable batteries to a local collection point so that they can be disposed of in an environmentally-friendly way. When buying new batteries, select batteries low in harmful substances and no mercury (Hg), cadmium (Cd) or lead (Pb).
- This product is not to be treated as regular household waste, but should be handed into an electrical/electronic equipment recycling centre. You can obtain further details from your local council, your municipal waste disposal company or the firm which you purchased the product.

CLEANING

- We would recommend using alcohol based wipes or similar when cleaning the scales.
- Please do not use large amounts of water when cleaning the scales as this will cause damage to electronics, you should also refrain from using corrosive liquids or high pressure washers.
- Always turn off the scale before cleaning.

MAINTENANCE

- The scale does not require any routine maintenance. However, we recommend checking the scale's accuracy at regular intervals. The regularity of these checks is dependent on the level of use and the state of the scale. If any inaccuracies occur, please contact WinnCare Nordic.

WARRANTY-LIABILITY

- If a fault or defect is presented on receipt of the scale, which is within Winncare Nordic scope of responsibility, Winncare Nordic shall have the right to either repair the fault or supply a replacement weight scale. Replaced parts shall be the property of Winncare Nordic. Should the fault repairs or replacement delivery not be successful, the statutory provisions shall be valid. The period of warranty shall be two years, beginning on the date of purchase. Please retain your receipt as proof of purchase. Should your scale require servicing, please contact Winncare Nordic.
- No responsibility shall be accepted for damage caused through any of the following reasons: Unsuitable or improper storage or use, incorrect installation or commissioning by the owner or third parties, natural wear, changes or modifications, incorrect or negligent handling, overuse, chemical, electrochemical or electrical interference or humidity, unless this is attributable to negligence on the part of Winncare Nordic.

If operating, climatic or any other influences lead to a major change in conditions or material quality, the treaty for perfect unit functioning shall be rendered null and void.

READING BEFORE USE

Before reading detailed instructions on how to use all the weighing functions that are built into your scale, please read the following important guidelines:

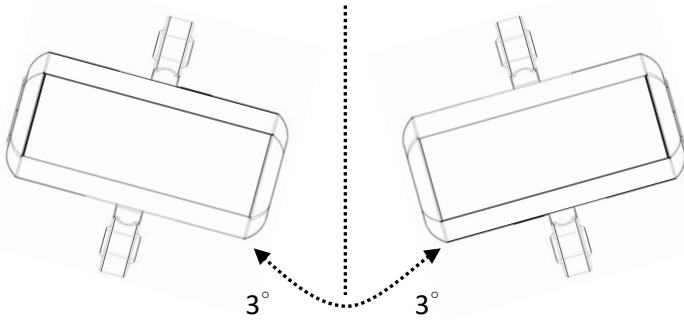
- Always be sure that the display show "Zero" before use, if it does not then please press ZERO key to reset.
- The medical scale is ideal for Mobile hoist/Stand-aid hoist/Ceiling hoist.

Note: Do not measure weight during movement, tilt will cause inaccuracy.



CAUTION

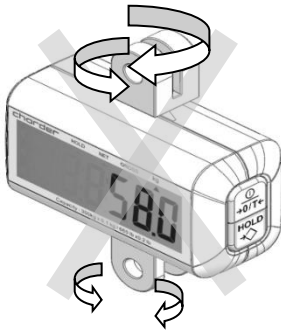
Tilt angle over 3° will cause fault in the weighing.



Limited Angle

Ball joints are assembled with load cells from factory. It should not be twisted by user or in any other circumstance.

Mis usage will cause unexpected danger.



We do not recommend building a scale into a construction of any hoist where the spreader bar do not swivel 360°.



SPECIFICATIONS

MODEL: MHS 2500 I

Capacity	200kg / 300kg	400kg
Division	0.1kg	0.2kg
Display options	5 1/2 digits	
Weight Unit	Kg*	
Dimension	120 x 50 x 160 mm	
Power	1.5V AAA * 6 batteries	
Operating temperature	0°C/40°C	

WARNING:

*Only kg unit is approved by OIML (International Organization of Legal Metrology).

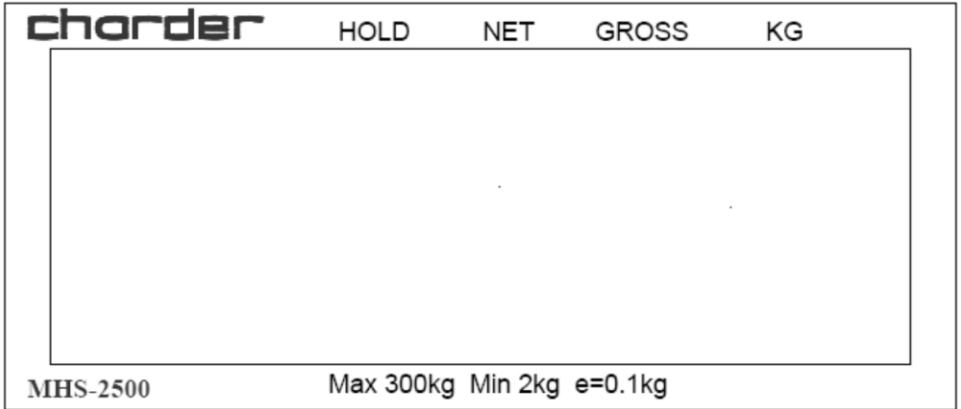
PANEL INDICATION

HOLD indicator

NET weight

Gross weight

kg indicator



KEY FUNCTIONS

ON/OFF/ZERO/TARE

TARE function is designed for people who want to subtract additional weight (like clothing) from total weight to get the net weight of subject.

How to get net weight?

Loading the weight you want to subtract from a person. Press

ON/OFF/ZERO/TARE key to tare the weight. Then you will get net weight when lift a person.

Key description: **ON/OFF/ZERO/TARE**

- Press to switch on and depress 3 seconds to switch off.
- Press to reset if weight is within $\pm 2\%$ of full capacity.
- Press to tare the weight and acquire net weight.

HOLD

When **HOLD** function is enabled, scale will 5 to 10 sets of reading and analyse the discrepancy. If discrepancy is less, scale will sample current weight as its real weight. Reading can be taken now.

Key description: **ON/OFF/ZERO/TARE**

Press to keep the result during weighing process. To disable the hold function, press **HOLD** again.

FEATURE SETTINGS

Auto-Off Time Adjustment

The device will automatically off according auto-off time setting.

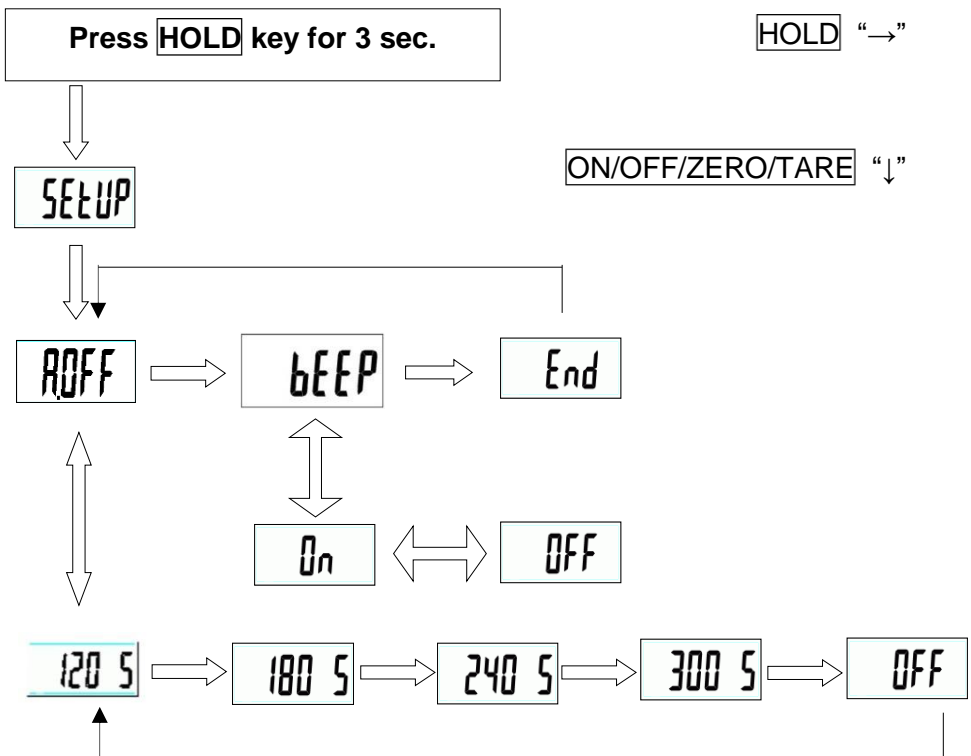
- Auto-off setting time: 120 sec/180 sec/240 sec/300 sec/off

Buzzer Adjustment

- Switching the buzzer ON and OFF.

OPERATION FLOW

Please follow the operation flow to set up your scale.



SETTING UP YOUR SCALE STEP BY STEP

For Example: Set up 180 sec AUTO-OFF time and Buzzer OFF.

Step 1:

Press **HOLD** for 3 seconds to enter **SEtUP** setup mode.

Step 2:

Press **ZERO** to enter **ROFF** mode when **ROFF** is displayed.

Step 3:

Press **HOLD** to select **180 5** which means AUTO-OFF TIME is 180 seconds.

Step 4:

Press **ZERO** to decide and return to **ROFF** mode and press **HOLD** to shift to **bEEP** setup mode.

Step 5:

Press **ZERO** to enter **bEEP** setup mode and press **HOLD** again to select between **On** and **OFF**.

Step 6:

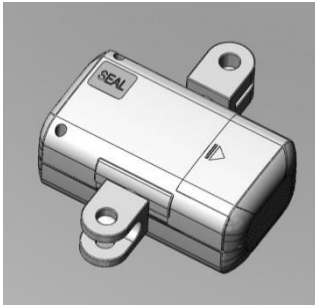
Press **ZERO** to decide and return to **bEEP** setup mode.

Step 7:

Press **HOLD** to select **End** and press **ZERO** to finish setting.

INSTRUCTION FOR REPLACING BATTERY

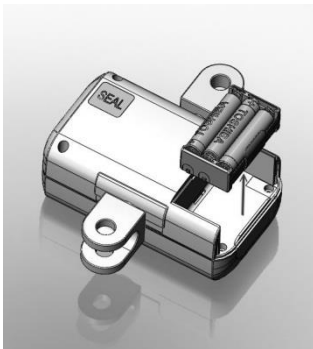
The medical weight scale uses six AAA alkaline batteries. Please read the following instruction before using the scale.



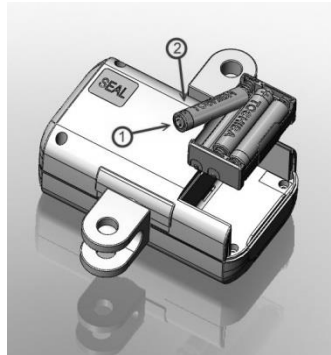
1. Find the battery cover at the back side of the scale.



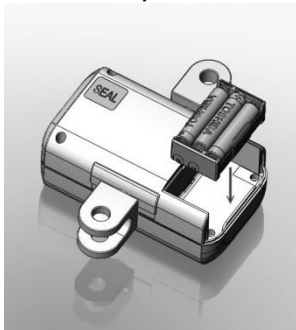
2. Remove the battery cover.



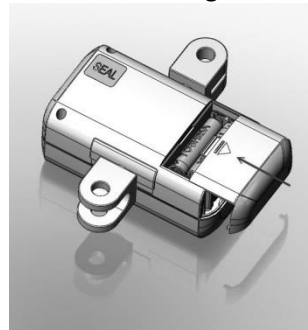
3. Take the battery case out.



4. Installing 6* AAA batteries.



5. Installing the battery case.

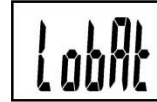


6. Installing the battery cover.

ERROR MESSAGE

- **LOW BATTERY INDICATION**

This warning shows that the voltage of battery is too low to operate. Please change battery.



- **ZERO HIGH**

The loading is over limited when power on, please reduce the loading.



- **ZERO LOW**

The loading is under limited when power on, please increase the loading.



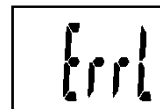
- **OVER LOAD or COUNTING ERROR**

The loading is over limit, please reduce the loading and try again. If the trouble still exists, please call for service.



- **COUNTING ERROR (too low)**

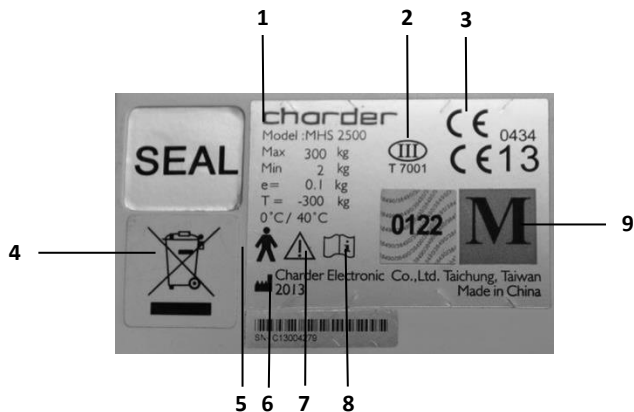
The loading is lower than limit when power on, please increase the loading and try again. If the trouble still exists, please call the service.



- **EEPROM ERROR**

The programs of the scale is error, please call the service.





- 1 Specification – See page 8
- 2 Calibrated according to tolerance class III in conformity to Directive 2009/23/EG
- 3 CE-mark and number for authorizing organ
- 4 Product should be recycled if possible
- 5 Type B, The patient is not separated from ground.
- 6 Name of the manufacturer
- 7 Warning – Only for authorized personnel
- 8 Read the user instruction
- 9 The scale is calibrated and therefore accurate and legal for use in the health sector according to the EU-directive. It is necessary to use a product together with the scale, which also can be used in all medical aspects.



Manufacturer's Declaration of Conformity

This product has been manufactured in accordance with the harmonized European standards, following the provisions of the below stated directives:

Electro Magnetic Compatibility Directive 2004/108/EC
Low Voltage Directive 2006/95/EC

only Medical Approval Scale is in conformity with
Medical Directive 93/42/EEC

FCC CLASS B Declaration of Conformity

This device complies with the limits for a Class B digital device, pursuant to Part 15 of the FCC Rules

Authorized EU Representative:



Pedihealth Oy
Kastellinmaenkuja 8,
FI-90230 OULU,
Finland

Manufactured by:



Charder Electronic Co., Ltd.
No.103, Kuo Chung Road, Dah Li City,
Taichung Hsien, Taiwan (R.O.C.)

Dealer:



WinnCare Nordic ApS
Taarnborgvej 12 C
4220 Korsoer
Denmark

Phone: + 45 70 27 37 20

Fax: + 45 70 27 37 19

Email: info@WinnCare.dk
www.WinnCare.dk