

# Weigh Scale

Weigh scale for all purposes

## Primary application

Home care  
Nursing homes  
Hospital

The weigh scale is a M weigh (medically approved weight). The weigh scale is designed to weigh disable patients body weight, when they are placed in a sling.

The weigh scale has a big screen and multiple functions including On/Off/Zero/Tare button and Hold button. Weighing capability is up to 300 kg but the LOWEST weight capacity decides the maximum lifting capacity. The scale has an accuracy of 0,1kg.

With the function Hold it is possible to sample 5 to 10 sets of reading and analyse the discrepancy.

The Tare function makes is possible to subtract additional weight like clothing from the total weight.

## Key standard functions

On/Off/Zero/Tare button  
Hold button  
Big display  
Weighing capability up to 300 kg  
Accuracy of 0,1kg



On/Off/Zero/Tare and Hold buttons



Big display

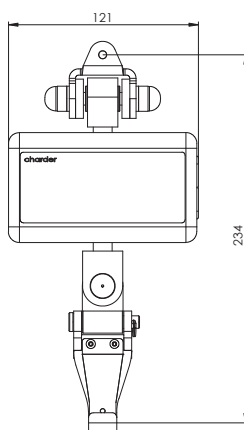


Easy to use and read

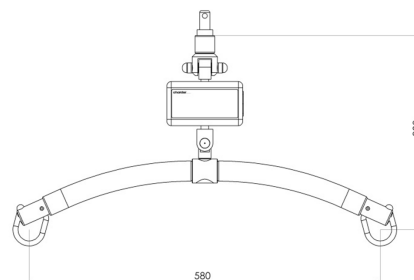
Version	Lift	Mounting method	Item no.
Weigh scale without spreader bar	Luna	Strap	017-00133
Weigh scale with 2 point spreader bar (58 cm)	Luna/Solar	Bayonet	017-00117
Weigh scale with 2 point spreader bar (48 cm)	Luna/Solar	Bayonet	017-00144
Weigh scale with 3 point spreader bar	Luna/Solar	Bayonet	017-00143

## TECHNICAL SPECIFICATION

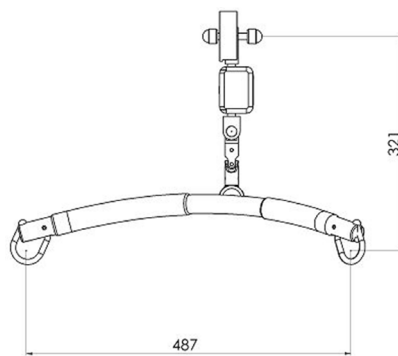
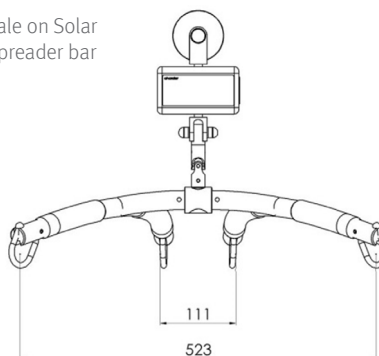
Weigh scale for Luna with strap



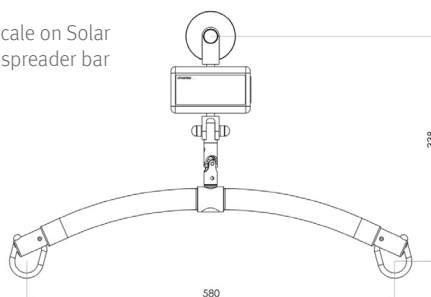
Weigh scale for Luna with bayonet



Weigh scale on Solar 3-point spreader bar



Weigh scale on Solar 2-point spreader bar



Consult the Technical manual for further specifications.  
 All figures and measurements are for guidance only and may differ in actual situations.  
 Winncare Nordic reserves the right to changes without notice.  
 Product photos may include accessories. Consult your dealer for more information.

