

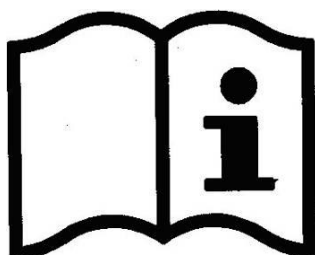


4 Le Pas du Château
85670 SAINT PAUL MONT PENIT
TEL : +33 (0)2 51 98 55 64
FAX : +33 (0)2 51 98 59 07
Email : contact@winnicare.fr
Site Internet : <https://www.winnicare.fr>

USER MANUAL

ALDRYS 3 (AH1...)(Width 90cm)

ALDRYS CONFORT (AI1...)(Width 100cm)



Creation 2019_06_01
Update 2023_04_01



580212 Anglais



Avec Ecofolio
tous les papiers
se recyclent.

1. TRANSPORT AND STORAGE	4
<hr/>	
2. BED ENVIRONMENT CONDITIONS	4
<hr/>	
3. GENERAL USE	4
<hr/>	
3.1. PREREQUISITES BEFORE USE AND INSTRUCTIONS FOR USE	4
3.1.1. TRAINING AND QUALIFICATIONS OF THE PERSON USING THE DEVICE	4
3.1.2. INDICATIONS	5
3.1.3. CONTRAINDICATIONS	5
3.2. CLINICAL BENEFIT, DEVICE PERFORMANCE, ACTION MECHANISM DEPENDING ON THE FUNCTIONS, OPTIONS OR ACCESSORIES USED	5
3.2.1. DEVICE PERFORMANCE CHARACTERISTICS	5
3.2.2. EXPECTED CLINICAL BENEFITS	5
3.2.3. INFORMATION FOR HEALTHCARE PROFESSIONALS	5
3.3. PRECAUTIONS FOR USE	5
3.4. ELECTRICAL CHARACTERISTICS	7
3.4.1. ELECTRICAL DATA	7
3.4.2. ELECTROMAGNETIC COMPATIBILITY	8
3.4.3. EQUIPOTENTIALITY	9
<hr/>	
4. BED BOARDS 90CM/100CM WIDTH COMPATIBLE	10
<hr/>	
4.1. BED BOARD REFERENCES FOR APPLICATION ENVIRONMENTS 1 AND 2	10
<hr/>	
5. COMPATIBLE ACCESSORIES	11
<hr/>	
6. USE	12
<hr/>	
6.1. PURPOSE OF THE MEDICAL DEVICE	12
6.2. SPECIFIC PRECAUTIONS FOR USE	12
6.2.1. RESIDUAL RISKS AND ADVERSE SIDE EFFECTS	12
6.3. GENERAL DESCRIPTION	12
6.4. TECHNICAL CHARACTERISTICS	13
6.4.1. DIMENSIONS	13
6.4.2. WEIGHT	14
6.4.3. NOISE	15
6.4.4. ELECTRICAL COMPONENTS	15
6.4.5. PROTECTION LEVEL AGAINST DUST AND LIQUID PENETRATION	15
6.5. ELECTRICAL CONNECTION DIAGRAM	16
6.6. REMOTE CONTROL	17
6.6.1. LOCKABLE REMOTE CONTROL HB02X (LOCK OR UNLOCK)	17
6.7. BRAKING	18
6.7.1. SEPARATE BRAKING	18
6.7.2. CENTRALIZED BRAKING (OPTION A)	18
<hr/>	
7. ASSEMBLING AND DISMANTLING	19
<hr/>	
7.1. ASSEMBLING ALDRYS	19
7.2. DISMANTHING	23
7.3. DISMANTLING THE LIFTING SYSTEM (SCISSORS)	24
<hr/>	
8. OPERATION OF THE SLEEPING SURFACE	28

8.1. BACK REST	28
8.1.1. STANDARD BACK REST	28
8.1.2. BACK REST WITH TRANSLATION	28
8.1.3. EMERGENCY RELEASE OF THE BACK REST (CARDIO PULMONARY RESUSCITATION)	29
8.2. LEG REST	29
8.2.1. LEG REST WITH MANUAL CRANK (C/)	29
8.2.2. LEG REST WITH ELECTRIC FOLDING (P/)	29
9. INSTALLATION OF ACCESSORIES	29
9.1. BOARDS	29
9.2. METAL SIDE RAILS	30
9.3. WOODEN BARRIERS	31
9.4. ALUMINUM HALF SIDE RAILS	32
9.5. ANGLED LIFTING POLE AND IV STAND	33
10. USE OF SPECIFIC ITEMS	34
10.1. WALL STOP A674-00	34
10.2. BATTERY (OPTION K)	34
11. MAINTENANCE	35
11.1. IDENTIFICATION	35
11.2. INSTRUCTIONS FOR DISMANTLING THE MOTORS	35
11.3. MAINTENANCE	36
11.4. QUALITY INSPECTION OF MEDICAL BEDS	37
11.5. CLEANING AND DISINFECTION	38
11.6. LIFETIME	39
11.7. GARANTIES	39
11.8. TROUBLESHOOTING GUIDE	40
12. SCRAPPING	41

Dear Sir/Madam,

You have acquired a WINNCARE medical bed equipped with its accessories, and we thank you for your custom.

This class 1 medical device complies with Regulation (EU) 2017/745 relating to medical devices

They are tested in conformity with standard IEC 60601-2-52 (2010) and IEC 50637 (2017) in their commercial configurations, including the boards and accessories that we manufacture, so as to ensure you maximum safety and performance.

As a result, maintenance of the contracted good's warranty depends on compliance with the conditions for use recommended by WINNCARE and the use of original accessories, which also guarantees you safe use of the medical bed and its accessories.

1. TRANSPORT AND STORAGE

For transport, the bed should be in its low position, and strapped and protected. The wired control and supply lead should be attached to the bed base.

The head and footboards are protected and strapped to the sleeping surface.

The bed should be transported upright when in its original packaging in compliance with the instructions printed on the packaging.



It is strictly forbidden to stack packages weighing over 60kg/m², whatever position they are in.
Before transporting or dismantling the bed, make sure the back and leg rests are fixed to the frame of the bed base.

2. BED ENVIRONMENT CONDITIONS

The bed, along with the boards and accessories, must be transported and stored at a room temperature of between -10°C and +50°C,

The bed, along with the boards and accessories, must be used at a room temperature of between +10°C and +38°C,

Relative humidity of between 30% and 75%.

Atmospheric pressure between 700hPa and 1060hPa



Observe the specified environmental conditions

3. GENERAL USE

Before use, it is essential to read these instructions carefully. They contain advice on using and looking after the bed to guarantee optimum safety.

The latest updated version of this manual is available on our website www.winncare.fr.

The photos, images and diagrams included in this manual may not correspond to your product depending on the versions or options you have.

3.1. Prerequisites before use and instructions for use

3.1.1. Training and qualifications of the person using the device

Users must be trained by people who have been trained and approved by the relevant business entities, in particular when it comes to safety and reporting non-conformities.



The user and staff must be trained and aware of the risks associated with using the bed. He must not allow it by children and be vigilant when used by confused or disoriented people.



The activation by a child of a feature of the medical bed shall be conditional upon the demonstration by a health professional of the child's physical and mental capacities to select it on the suspended handset without assistance, and the favourable assessment of the benefit/risk ratio in relation to the clearly identified need and the patient and caregiver's physical environment.

3.1.2. Indications

Suitable for patients with temporary or permanent decreased independence due to their illness or disability.

3.1.3. Contraindications

To be determined by the prescribing doctor based on the patient's condition, the medical treatment and the type of relevant accessories. Patient weight higher than the safe operating load defined.

3.2. Clinical benefit, device performance, action mechanism depending on the functions, options or accessories used

3.2.1. Device performance characteristics

Variable height (ergonomics of care, transfer aid), low bed (reduces the severity of falls from the bed), Trendelenburg, reverse Trendelenburg, chest rest, leg rest, flat, chair position (preserves or improves the patient's physical and/or psychological state, helps with administering care), 30° chest rest and/or with Fowler or semi-Fowler positions (helps prevent pressure sores), According to our bed models 5° Trendelenburg (helps lift the patient), rails (protects the patient and/or caregivers), lateral stop (stabilizes the mattress), removable bed panels (prevents the patient from falling out of bed, acts as a fixed walking aid, helps with head and foot care).

3.2.2. Expected clinical benefits

To preserve the patient's state of health, mobility, activity and transfers. To reduce the repercussions of the immobilization syndrome. To protect the health and safety of users or others.

3.2.3. Information for healthcare professionals

Identify possible combinations of risks and benefits for each intended use. Assess the patient's ability to use and understand the overhead remote control and the caregivers' knowledge of how the medical bed and its accessories work.

Any serious incident occurring in connection with the device must be reported to the manufacturer and to the competent authority of the Member State in which the user and/or patient is established. Inform the competent authority if you think or have a reason to believe that the device presents a serious risk or is faulty.

3.3. Precautions for use

Although the bed is conforming with Electromagnetic Compatibility, some devices may alter how it functions, in which case they must be used at a distance or not used at all.

The bed is a medical device and must not be modified under any circumstances. You must ensure its traceability, including that of the boards and its accessories.

If you assemble medical devices not provided by the supplier, you shall meet the manufacturer's general obligations in accordance with Article 10 of Regulation (EU) 2017/745.

The electric parts (jack, supply box, wired control, etc.) shall only be repaired by the manufacturer Linak.

The loads permitted (see bed characteristics) must be distributed evenly over the bed base.

Do not activate all the motors at the same time when the patient is in the bed (only one motor is authorised at one time, except elevation by 2 motors or simultaneous function).

After each use and while care is being administered to the patient, the brakes must be activated. We recommend putting the bed in its low position after every use and while the patient is resting, to reduce the height of falls by a confused or agitated person. Remember to lock the function(s) (if the option is available).

On change of height or angle of the parts of the bed, make sure that there are no objects and no parts of the patient's or carer's body caught between the bed, the boards, the accessories and the ground or between the boards and base or between the cross braces.

Do not sit down on the side of the back rest or leg rest if this is not flat. In the case of a prolonged more than 50 ° tilt bust semi-sitting position, it is recommended to vary the position of the person in bed every 2 hours.

When the bed is being moved, keep the power lead well away from the ground and wheels.

When use of an adaptor, extension lead or connection plug proves necessary, you must check that its characteristics are suitable for the bed.

Connection to the supply box must be done using a mains complying with the standards in force and corresponding to a voltage of use indicated on the device.

The mains plug must be disconnected before the bed is moved.

Do not pull on the mains leads to disconnect the mains plug.

During any handling, try not to catch the leads of the motors and remote control and do not get them knotted.

The wired handset shall be attached to the head panel when not in use and protected in a lockable box in the case of a bed intended for children.

In the case of the use of infrared remote control(s), WINNCARE allows the establishment of a single bed in the same room (or in a close environment) or a second bed only if the infrared options of 2 beds concerned are different (I **and** I1).

The condition of the leads must be checked frequently. If the slightest modification is observed, the person in charge for maintaining the bed must be contacted to carry out the necessary repairs.

If repairs are required, the person in charge of maintenance must be contacted.

For assistance, if necessary, in mounting, operation or maintenance or to report unexpected operation or events, call your supplier or Winnicare.

The cleaning instructions recommended must be complied with.

Abnormal use of the bed may damage it or cause accidents to users, in which case the warranty shall be annulled. Abnormal use means failure to comply with the precautions for use, maintenance instructions and other uses not related to the bed's normal purpose, such as:

- The use of the bed by several people at the same time (except DUO DIVISYS bed).
- Use outdoors or transporting the patient in a vehicle.
- The moving of the bed on a slope greater than 10° etc.

Put the bed in the designated room, foreseeing an appropriate perimeter of use for the different functions (variable height, TR, etc.), especially if the bed has a lifting pole or side rails. Check that there is sufficient ceiling height if a lifting pole is fitted.

Brake the wheels.

The mains socket should remain accessible to enable the bed to be disconnected quickly.

Plug in the power lead, checking that the mains comply with the standards in force and that it is suitable for the supply box voltage.

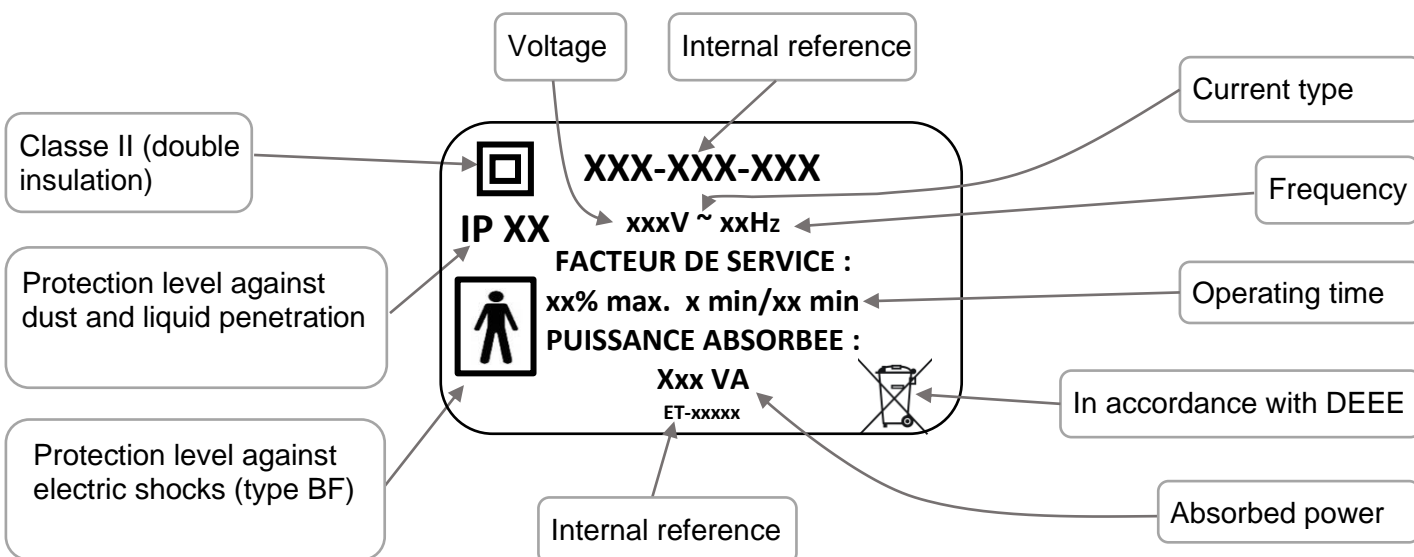
Also ensure that the power lead, the remote control lead as well as the cables of possible other devices are positioned correctly to prevent any risks of getting caught between the moving parts of the bed.



- Check that the bed operates properly after installing it in accordance with the check-list appended in this document. (Test all of its functions)
- The patient is a planned operator of the bed. Users must be trained in how to use the equipment.
- Inform the patient and his visitors of the safety instructions to be observed.

3.4. Electrical characteristics

3.4.1. Electrical data



3.4.2. Electromagnetic compatibility



The bed is an electromedical device requiring special precautions with regard to electromagnetic compatibility. The device must be installed and put into service according to the EMC information provided in this manual.



The use of accessories, transducers, and cables other than those specified or supplied by the manufacturer may cause increased electromagnetic emissions or a decrease in the immunity of the device and may cause improper operation.

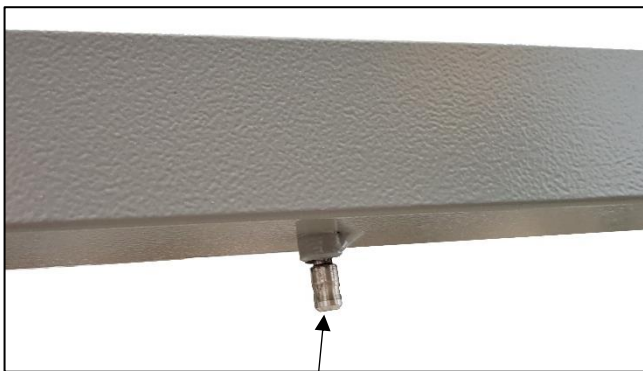
The bed will not move automatically when subject to electromagnetic disturbances within the limit of the values indicated below.

Manufacturer's declaration and guide – electromagnetic emissions		
The medical bed (see references in contents) has been designed for use in the electromagnetic environment specified below. The user should ensure that it is used in such an environment.		
Emissions test	Compliance	ELECTROMAGNETIC ENVIRONMENT - GUIDE
RF emissions CISPR 11	Group 1	The medical bed (see references in contents) uses RF energy only for its internal functions. Therefore, its RF emissions are very low and are not likely to cause any interference in nearby electronic equipment.
RF emissions CISPR 11	Class B	The medical bed (see references in contents) can be used in all domestic environments, including those directly connected to the public low-voltage power supply network that supplies buildings for domestic purpose. []
Harmonic emissions EN 61000-3-2	Class A	
Voltage fluctuations / Flicker EN 61000-3-3	Compliant	
RF emissions CISPR 14-1	Not Applicable	The medical bed (see references in contents) has not been designed for connection to other equipment.
Manufacturer's declaration and guide - electromagnetic immunity		
The medical bed (see references in contents) has been designed for use in the electromagnetic environment specified below. The user should ensure that it is used in such an environment.		
IMMUNITY TEST	IEC 60601 Severity level	COMPLIANCE LEVEL
Electrostatic discharge EN 61000-4-2	± 8 kV contact ± 15 kV air	± 8 kV contact ± 15 kV air
Radiated RF EN 61000-4-3	3 V/m 80Mhz – 2,7Ghz 80% AM at 1kHz	3 V/m 80Mhz – 2,7Ghz 80% AM at 1kHz
Proximity fields from RF wireless communication equipment EN 610004-3	See table below	See table below
Electrical fast transients EN 61000-4-4	± 2 kV for feeders ±1 kV for input/output lines Repetition frequency at 100 kHz	± 2 kV for feeders ±1 kV for input/output lines Repetition frequency at 100 kHz
Surges EN 61000-4-5	Differential mode ± 1 kV Common mode ± 2 kV	Differential mode ± 1 kV Common mode ± 2 kV
Conducted RF EN 61000-4-6	3V 0,15 – 80 MHz 6V in ISM band between 0.15 and 80 MHz	3V 0,15 – 80 MHz 6V in ISM band between 0.15 and 80 MHz
Magnetic fields IEC 61000-4-8	30A/m 50 Hz or 60 Hz	30A/m 50 Hz or 60 Hz
Voltage dips EN 61000-4-11	0% U _T ; 0,5 cycle at 0°, 45°, 90°, 135°, 180°, 225°, 270° and 315° 0% U _T ; 1 cycle 70% U _T ; 25/30 cycles at 0°	0% U _T ; 0,5 cycle at 0°, 45°, 90°, 135°, 180°, 225°, 270° and 315° 0% U _T ; 1 cycle 70% U _T ; 25/30 cycles at 0°
Voltage interruptions EN 61000-4-11	0% U _T ; 250/300 cycles	0% U _T ; 250/300 cycles
NB: U _T is the nominal value of power voltage applied during the test.		

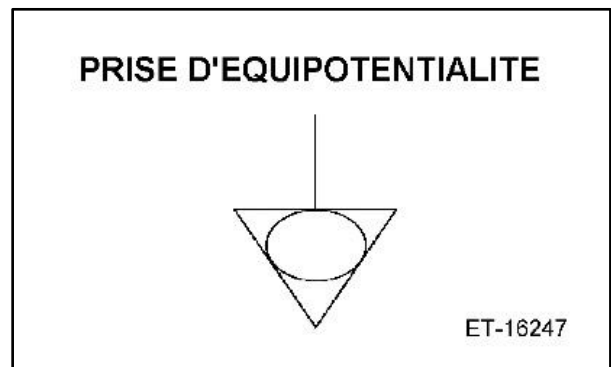
Test specification for immunity to RF wireless communications devices		
Test frequency (MHz)	Modulation	Immunity test level (V/m)
385	Pulse Modulation : 18 Hz	27
750	FM + 5 Hz deviation : 1 kHz sine	28
710 – 745 – 780	Pulse Modulation : 217 Hz	9
810 – 870 – 930	Pulse Modulation : 18 Hz	28
1720 – 1845 – 1970	Pulse Modulation : 217 Hz	28
2450	Pulse Modulation : 217 Hz	28
5240 – 5500 - 5785	Pulse Modulation : 217 Hz	9

3.4.3. Equipotentiality



Under the head-half of the bed base you will find an equipotentiality socket, identified by the label, enabling you to connect any electromedical devices. The leads of these devices must pass through the head end and not on the side.



Equipotentiality



4. BED BOARDS 90cm/100cm WIDTH COMPATIBLE

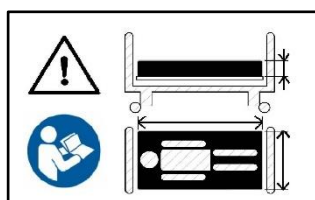
Item	L=90cm	 KG	L=100cm	 KG
MEDIDOM II (2)(4)	P318-00	19	P323-00	21
MEDIDOM II HOTELIER (4)(6)	P326-00	34		
COTE DE LUMIERE (5)	P360-00	21		
ELEGANTTI	P414-00	17		
COTE DE LUMIERE with wooden barriers (2)(5)	P549-00	21		
VAL DE VIE with wooden barriers (2)(4)	P552-00	19	P553-00	21
WINNEA® (3)(5)	P609-00	19	P770-00	24
AUZENCE II (5)	P611-00	18		
WINNEA® DESIGN (1)(5)	P615-00	15		
ABELIA II	P616-00	15	P636-00	17
CARMEN II with wooden barriers (2)	P620-00	30	P630-00	33
MADELIA II	P624-00	13	P634-00	14
CARMEN II	P625-00	27	P635-00	30
CARMEN II HOTELIER (6)	P629-00	42		
ABELIA II Aluminum side rails (6)	P631-00	20	P637-00	21
STYLVIA Aluminum side rails (6)	P632-00	32	P638-00	34
NOVIDA Aluminum side rails (6)	P633-00	32	P639-00	34
VAL DE VIE (4)(5)	P704-00	17		

- (1) Bed board incompatible with the XPRESS transport kit
- (2) Long pan option incompatible with the XPRESS transport kit
- (3) Emergency removable option incompatible with the XPRESS transport kit
- (4) Board incompatible with the centralised brake option of the ALDRYS bed
- (5) The blanket hoop option is incompatible with the XPRESS transport kit, XPRIM III and AERYS bed
- (6) Bed board incompatible with the XPRESS transport kit.

4.1. Bed board references for application environments 1 and 2

Item	L=90cm
WINNEA HAND RAILS	P609-00
WINNEA CIC BOARDS	P615-00

➤ Mattress



Observe the mattress dimensions prescribed. See user guide

Width of base in cm	Characteristics of compatible mattresses
90	Width 86 cm minimum with a high resilience foam of 34Kg/m³ minimum
100	Width 96 cm minimum with a high resilience foam of 34Kg/m³ minimum



Incompatible mattresses can pose RISKS



There must be at least 220 mm between the top of the side rail and uncompressed and no therapeutic mattress surface. It will be advisable to tend towards this specification in the case of the use of a therapeutic mattress.

5. COMPATIBLE ACCESSORIES




Only accessories and boards supplied by **WINNCARE** guarantee you a compatibility with our products.



Incompatible accessories and boards can pose RISKS

LITS 90-100

GB

Ref.	Des. (x1 : requires the centralised braking kit x2 : incompatible with bed base extension)	Art. -	 max (CF S)**	XPRIM III	XPRESS 2nd G	OSIRYS	ALDRYS 3	ALDRYS 100	MEDICALYS 2nd G	AERYS II	AERYS 100	XPRESS LOW
A1700xx	IV stand, 2 hooks	0.6	8	x	x	x	x	x	x	x	x	x
A5800	Chrome-plated urine bottle holder	0.2	-						x			
A8400xx	Telescopic IV stand, 2 hooks	1.7	8	x	x	x	x	x	x	x	x	x
A193-00	Chrome-plated wall-mounted basin holder	0.3	-	x	x	x	x	x	x	x	x	x
A230-00	Remote-control lead holder	1.1	-	x	x	x	x	x	x	x	x	x
A260-00	Epoxy urinal holder	0.2	-	x	x	x			x			
A551-00	Excelys wall stop	1.1	-	x								
A575-00	Support handle	1.3	-	x	x	x	x	x	x	x	x	x
A579/580/581-00 A676-00	Wood side rails (2)	10.5	-	x2	x2	x2	x2	x2	x2	x2	x2	x2
A616/617-00	S.A.M. ACTIV	7.4	-	x	x	x	x	x	x	x	x	x
A621-00	Easy Move base extension	6.9	-	x	x	x	x		x	x		x
A622-00	Angled lifting pole	4.6	75	x	x	x	x	x	x	x	x	x
A623-00	Chromed angled lifting pole	4.7	75	x	x	x	x	x	x	x	x	x
A626-00	Bed loading kit	6.6	-		x							
A627-00	Transport kit Transtolit	4.7	-		x							x
A633-00	Médicalys wall stop	1.3	-						x			
A634-00	Kit for side loading bed	5.7	-	x	x	x	x	x	x	x	x	x
A637/638-00	EPOXY side rail	11.6	-	x	x	x	x	x	x	x	x	x
A639/640-00	Chrome barrier	11.8	-	x	x	x	x	x	x	x	x	x
A645/646-00	S.A.M. EVOLUTION	20.6	-	x	x	x	x	x	x	x	x	x
A647/648-00	S.A.M. ERGONOM PLUS	23.6	-	x	x	x	x	x	x	x	x	x
A649/650-00	S.A.M. ERGONOM	13.6	-	x	x	x	x	x	x	x	x	x
A651/652-00	S.A.M. ERGONOM LIGHT	11.4	-	x	x	x	x	x	x	x	x	x
A654-00	Skirt for 90cm bed	4.5	-	x								
A655-00	Skirt for 90 cm bed FC	6.7	-	x1								
A658-00	Bed base extension (width 100cm)	8.4	-					x			x	
A688/689-00	Aluminum half side rails	31.6	-	x	x	x	x	x	x	x	x	x
A668/686-00	Base extension	7	-				x		x	x		
A670-00	AERYS wall stop	1.1	-							x	x	
A673-00	Long universal pan	4.6	-	x2	x2	x2	x2	x2	x2	x2	x2	x2
A674-00	Kit for side loading bed Xpress Low	5.2	-									x
A675-00	Aldrys III wall stop	0.8	-				x	x				
A678-00	Skirt for Aldrys III bed	4.5	-				x	x				
A679-00	Skirt for Aldrys III bed FC	6.7	-				x1	x1				
A682/683-00	Fixed footboard bed rail	5.1		x	x	x	x	x	x	x	x	x
Y0300	Lifting pole on U shaped base, fixed height	23.3	75	x	x	x	x	x	x	x	x	x

* Item

** Normal load in use

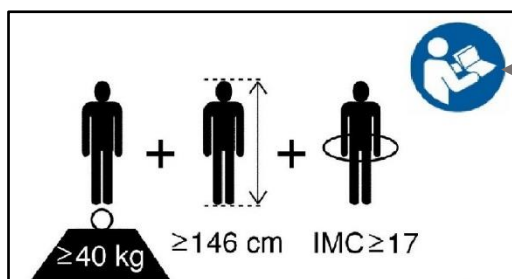
6. USE

6.1. Purpose of the medical device

- The device is intended to compensate for a handicap and as a preventive measure.
- Aldrys 3 and Aldrys Confort beds, depending on their configurations, are intended for:

- Application environment 3 (accommodation establishment for dependent old people) and 4 (home treatment).

- Persons whose size is greater than or equal to 146 cm, with a weight greater than or equal to 40 kg and a body mass index (BMI) greater than or equal to 17.



Warning refer to user's manual

Calculation of BMI :

$$\text{BMI} = m / h^2$$

m : weight in kg

- Safe operational load of the bed: **170 kg** (Patient 135 kg, Mattress 20 kg, Accessories 15 kg).

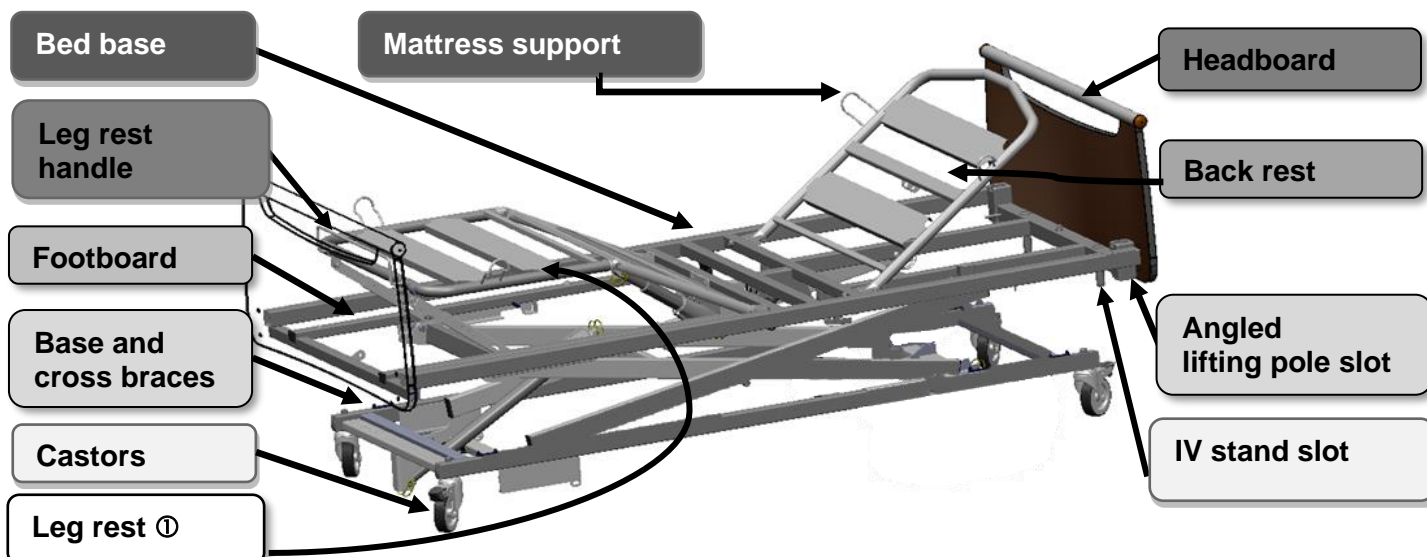
6.2. Specific precautions for use

The bed should not be used as a stretcher.

6.2.1. Residual risks and adverse side effects

DANGER	RESULT	REQUIREMENTS FOR THE USER
Trapping	Hands pinched	Handle legsrest or backrest up by handles or at specified locations
Trapping	Crushing body or object	Before lowering the bed, check that the area between the bed and the floor is free
ADVERSE SIDE EFFECTS		
Fall of the person. Immobilization syndrome. Aggravation of fractures that have not been stabilized and/or procedural pain when the articulated parts of the bed frame are moved.		

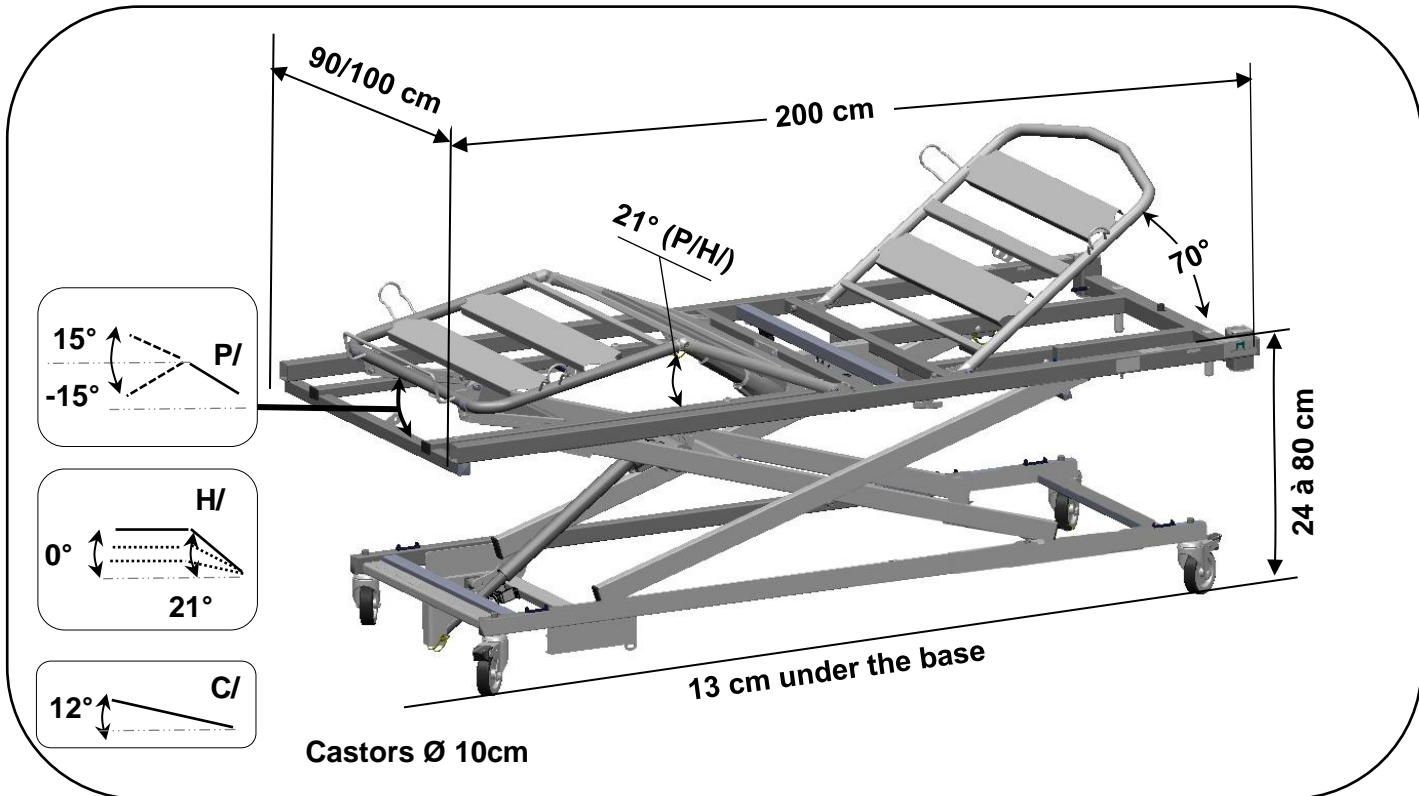
6.3. General description



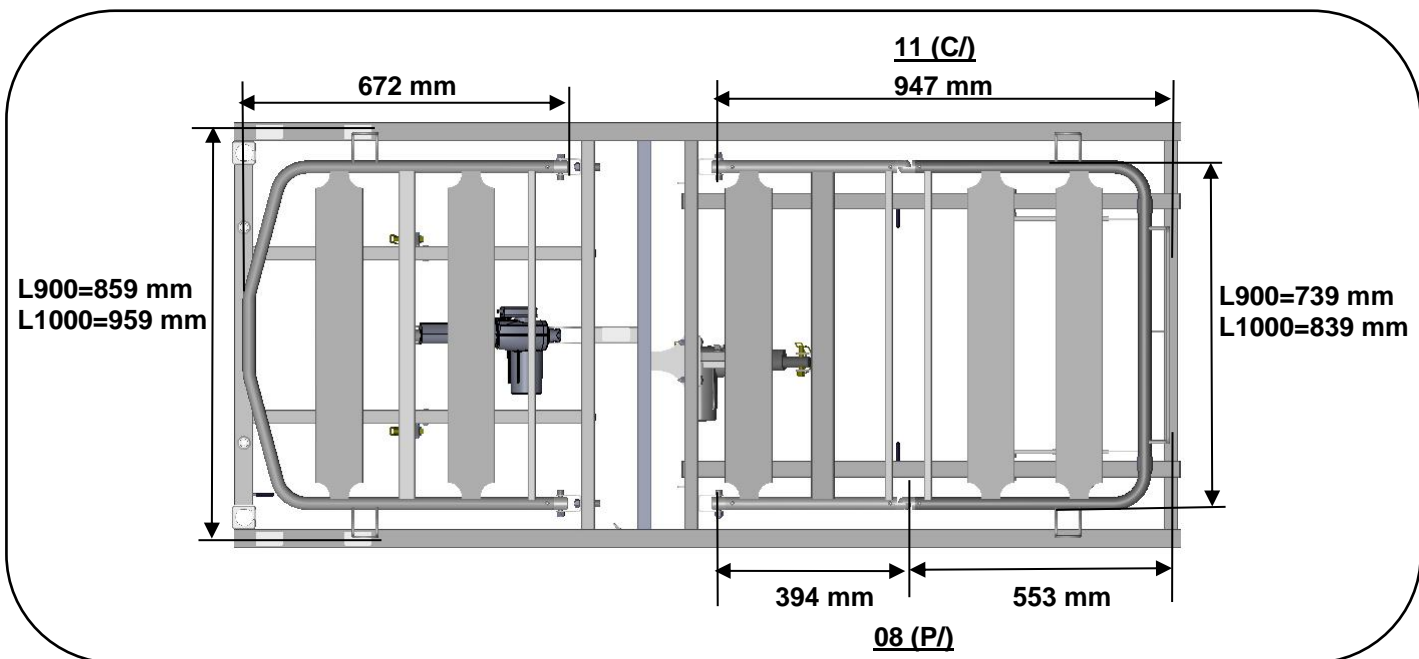
① Manual crank or electric folding leg rest depending on version.

6.4. Technical characteristics




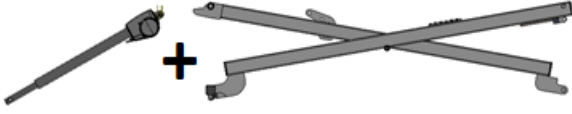


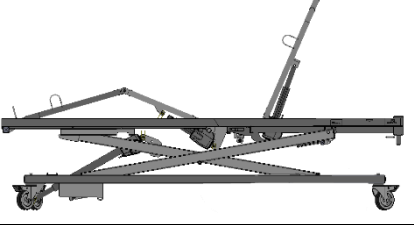

6.4.1. Dimensions



WINNCARE recommends using a patient hoist or a foodboard of which the bases do not exceed 12.5 cm in height.



6.4.2. Weight

		L = 900	L = 1000
		19,2 Kg	20,2 Kg
(C/)		20,9 Kg	21,5 Kg
(P/H/)		25 Kg	26,1 Kg
		2,2 + 20,2 Kg	
		16,8 Kg	
(C/)		79,3 Kg	80,9 Kg
(P/H/)		83,4 Kg	85,5 Kg
OPTION A		+ 6,8 Kg	

6.4.3. Noise

The measurement of the maximum audible sound power in accordance with ISO 3746 is 53 dB(A).

6.4.4. Electrical components

DESIGNATION	TYPE	PROTECTION INDEX	V/Hz
Absorbed power		200VA	
Control box	CA40 / CO41	IP66	100-240 VAC 50-60 Hz
Actuator	LA27	IP66	24 VDC
Lockable and backlit wired control	HB02	IP66	24 VDC
Lockable wired control	HL7x	IP54	24 VDC



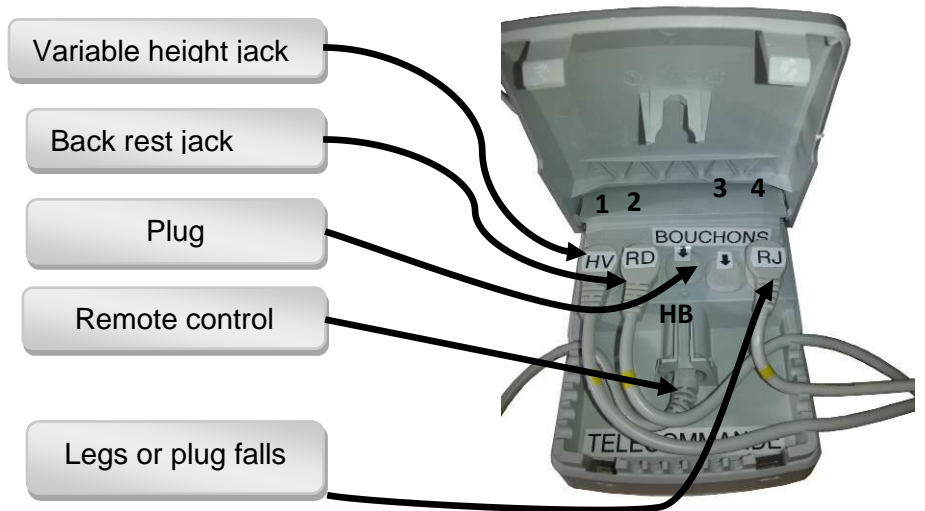
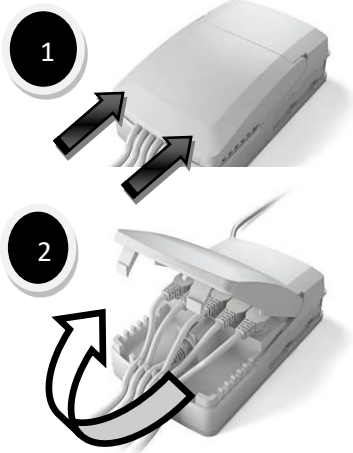
Maximum operating time: Read the recommendations on the electrical label on the bed.

6.4.5. Protection level against dust and liquid penetration

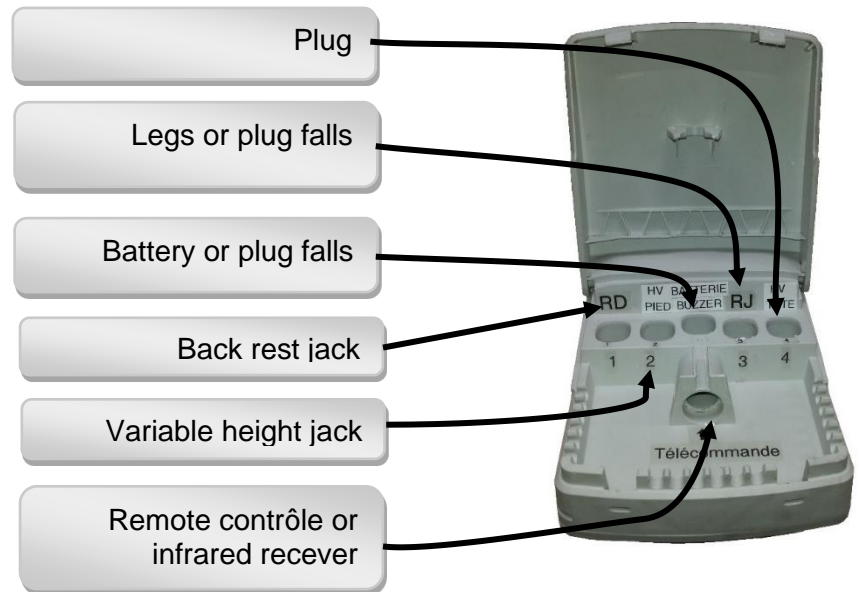
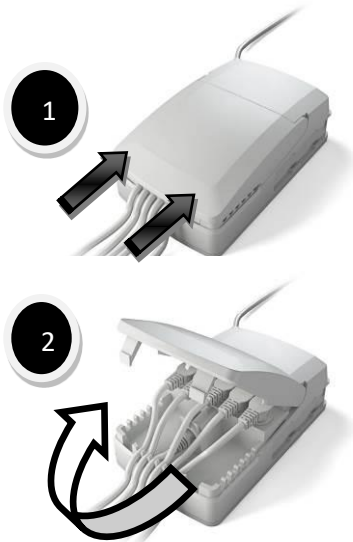
Index	1 st number (decade) Protection against solids	2 nd number (unit) Protection against water intrusion
0	No protection.	No protection.
1	Protected against solid bodies greater than 50 mm.	Protected against vertical drops of water drops.
2	Protected against solid bodies greater than 12,5 mm.	Protected against falling drops of water up to 15° from the vertical.
3	Protected against solid bodies greater than 2,5 mm.	Protected against rain water up to 60 ° from vertical.
4	Protected against solid bodies greater than 1 mm.	Protected against splashing water from all directions.
5	Protected against dust and other microscopic residues.	Protected against jets of water from all directions at the lance (6.3 mm nozzle, distance 2.5 m to 3 m, flow 12.5 l / min ± 5%).
6	Totally protected against dust.	Protected against strong jets of water from all directions to the lance (12.5 mm nozzle, distance 2.5 m to 3 m, flow 100 l / min ± 5%).

6.5. Electrical connection diagram

Control box CA 40

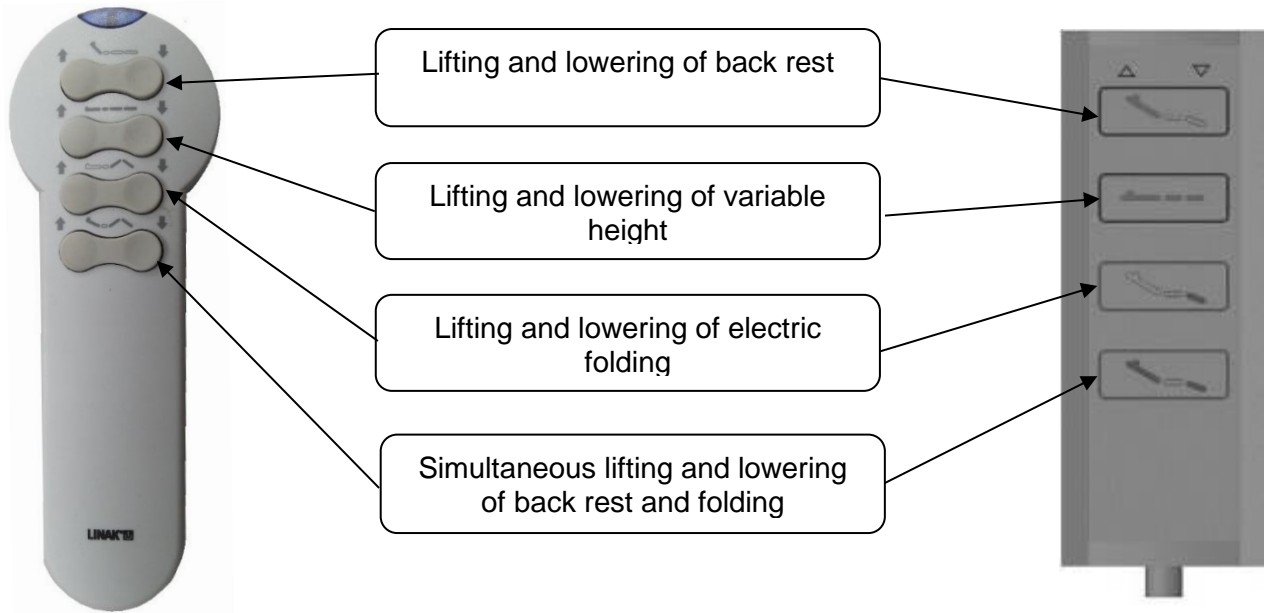


Control box CO 41

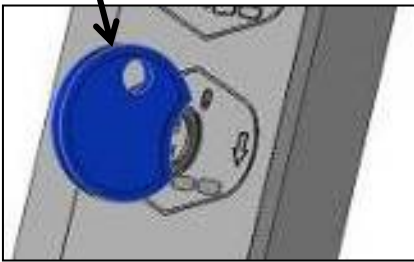


6.6. Remote control

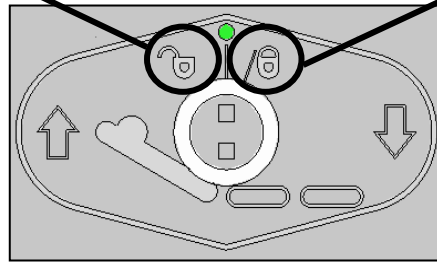
Carry out a test cycle when the bed is empty to familiarise yourself with the bed functions.



KEY TO LOCK A FUNCTION



KEY IN VERTICAL POSITION: THE FUNCTION IS UNLOCKED



TURN THE KEY SLIGHTLY TO THE RIGHT TO LOCK THE FUNCTION

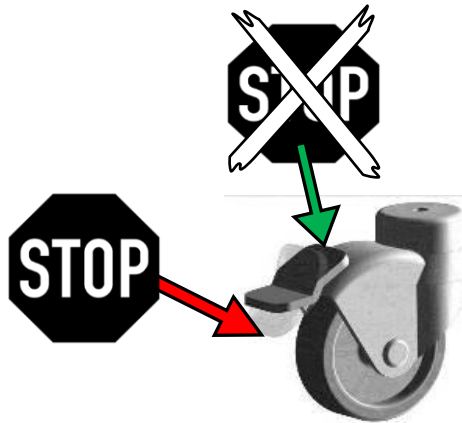
6.6.1. Lockable remote control HB02x (lock or unlock)



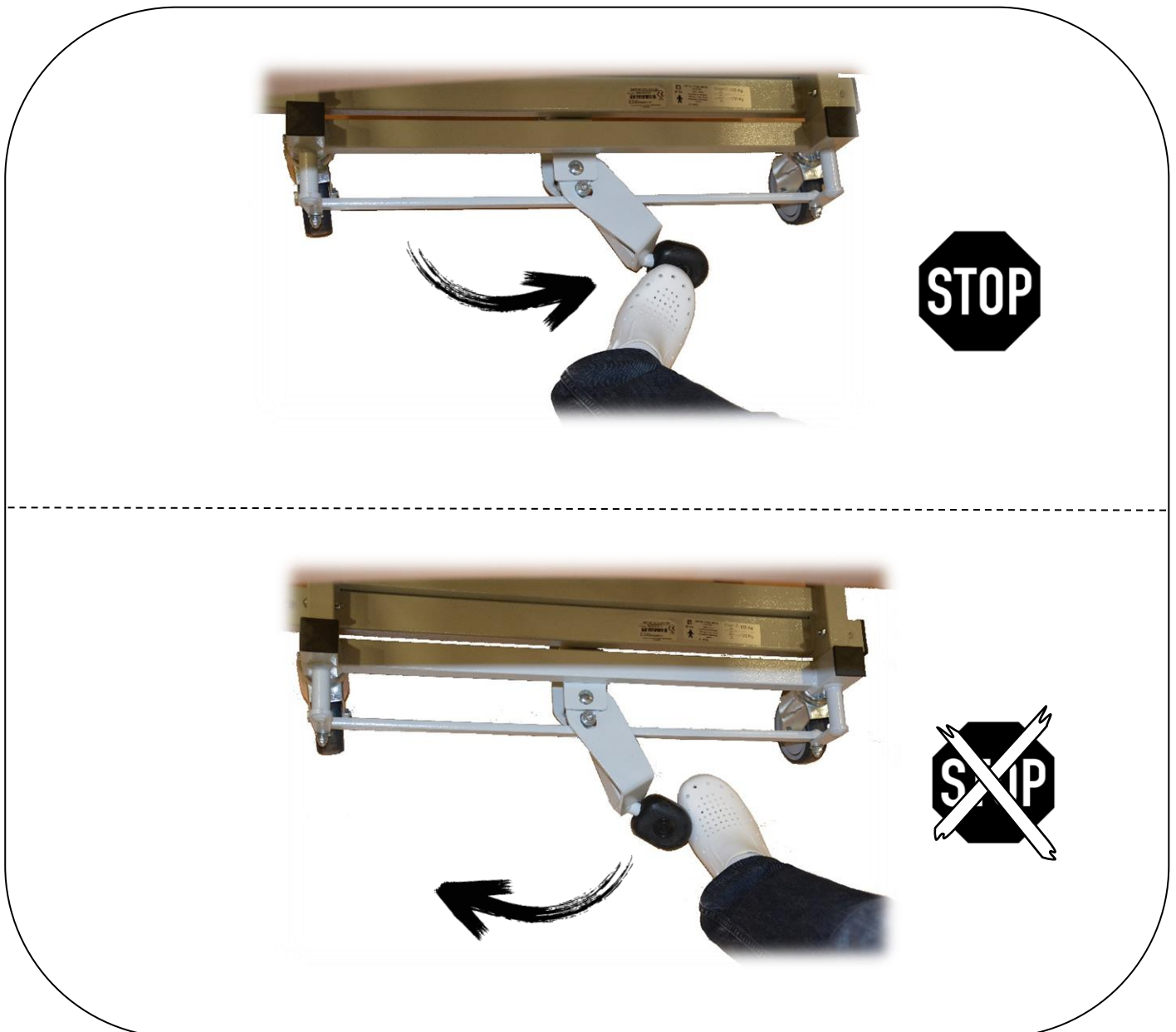
6.7. Braking

6.7.1. Separate braking

Check that the wheels are locked by trying to move the bed. If this is not done, the patient or another person who leans on the bed may fall.

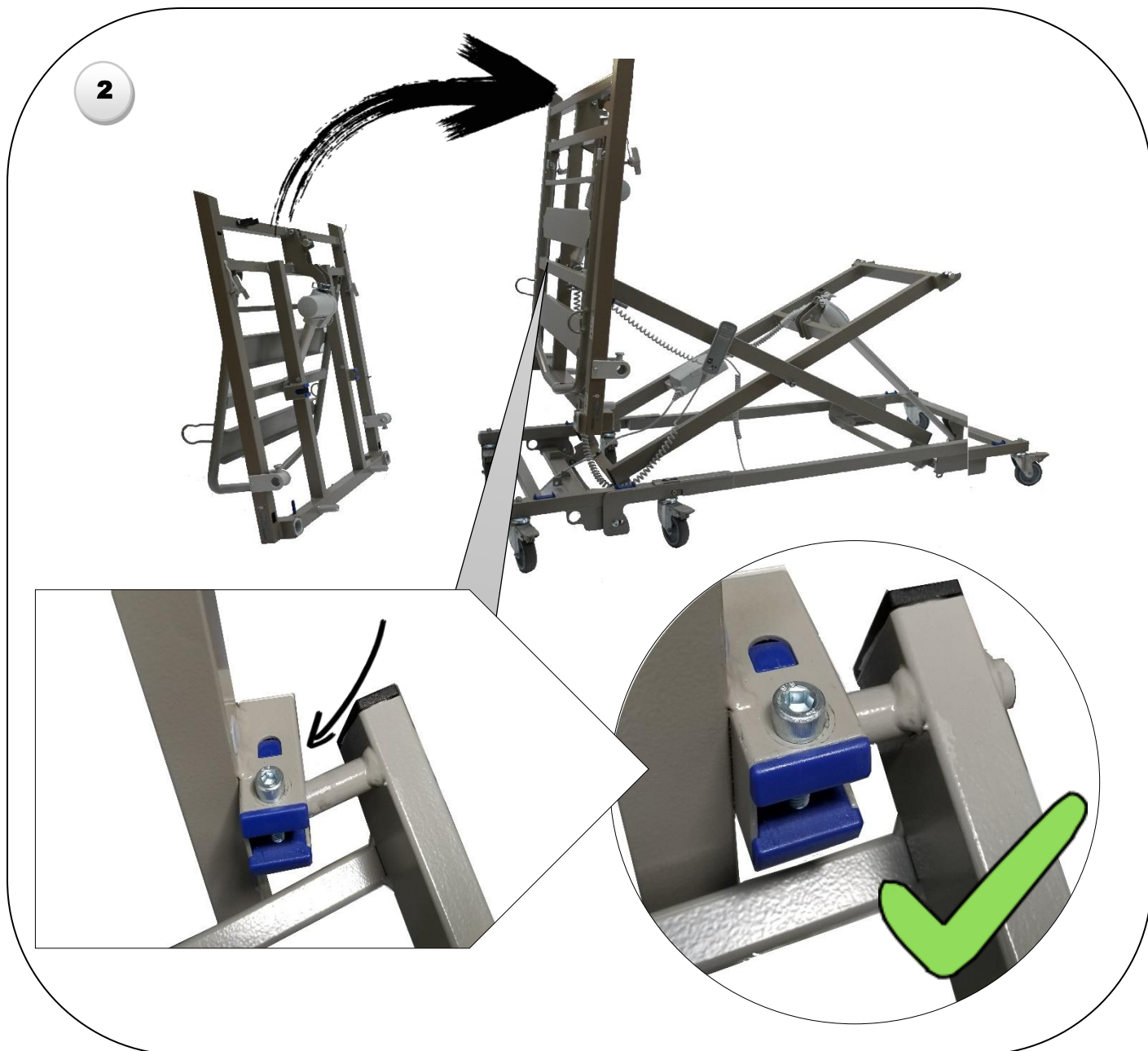
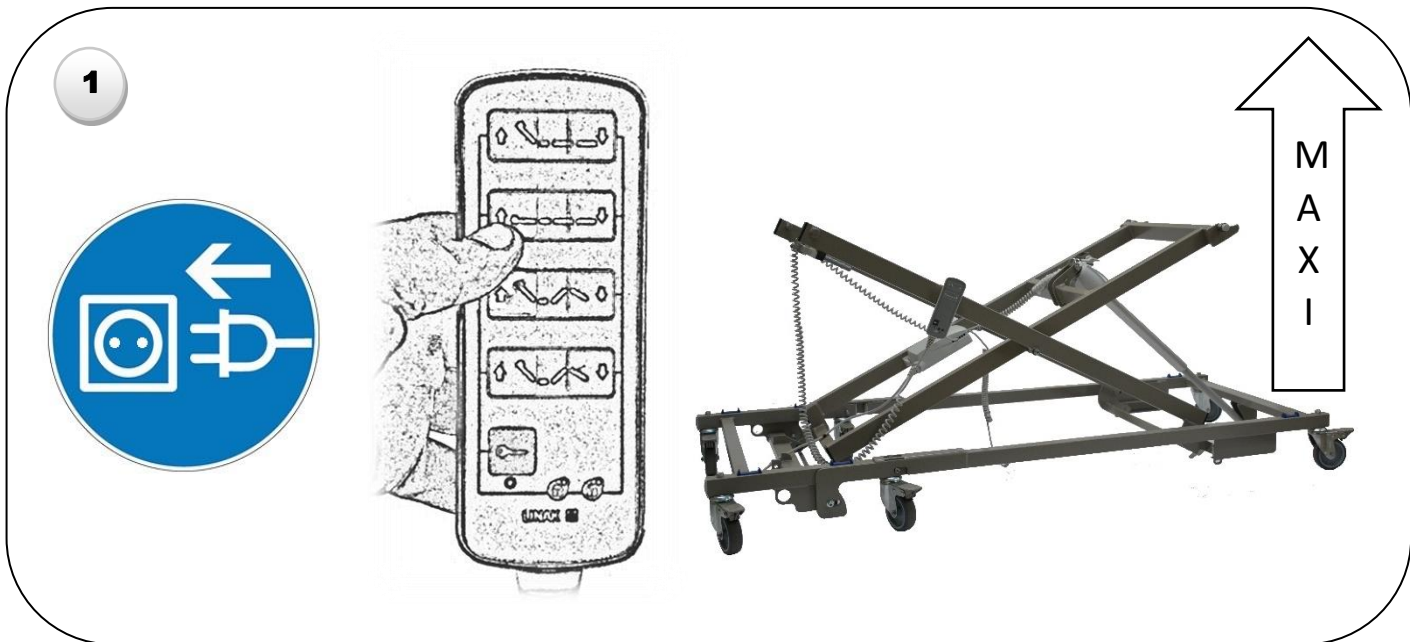


6.7.2. Centralized braking (option A)

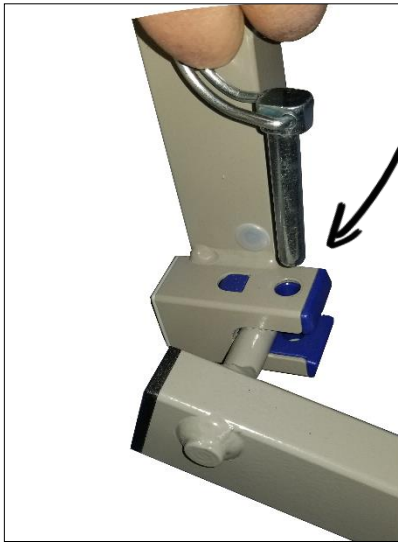


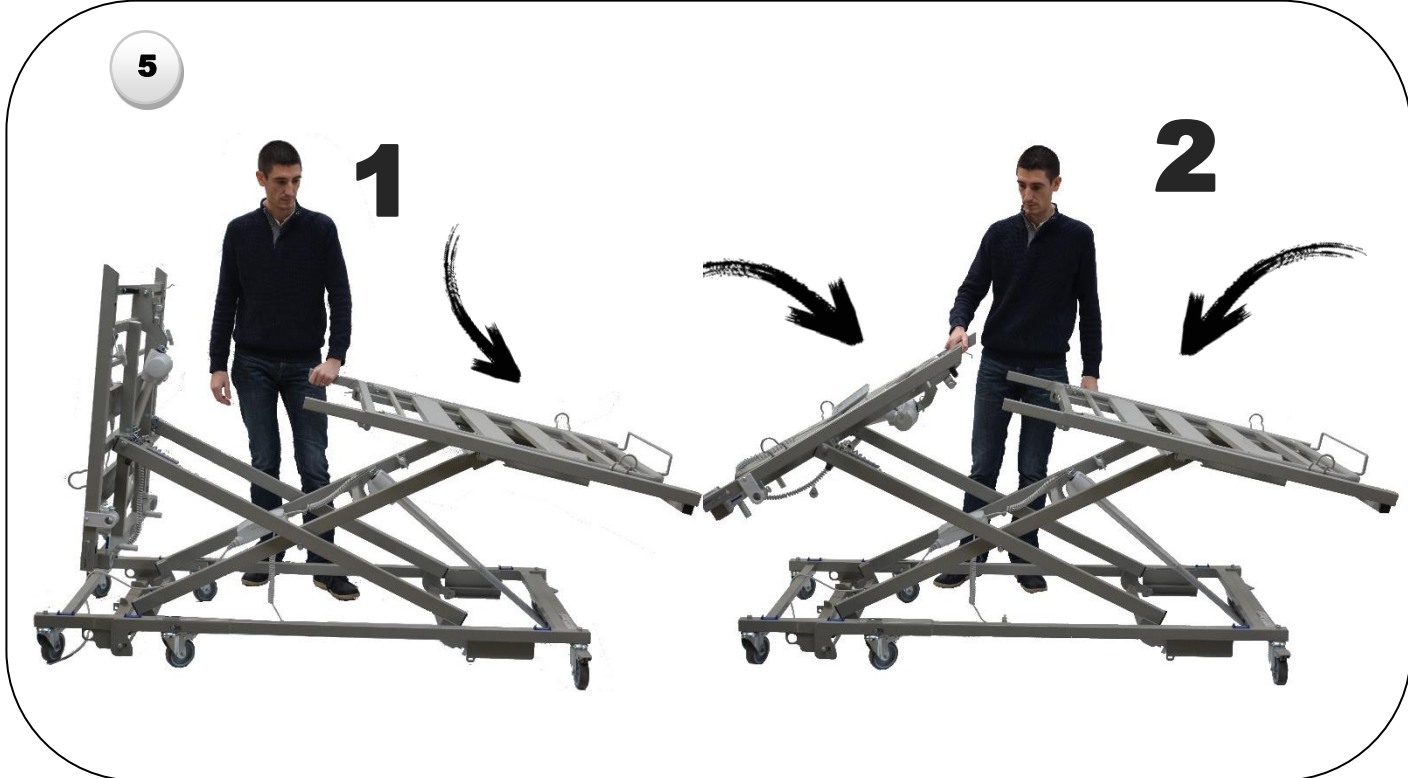
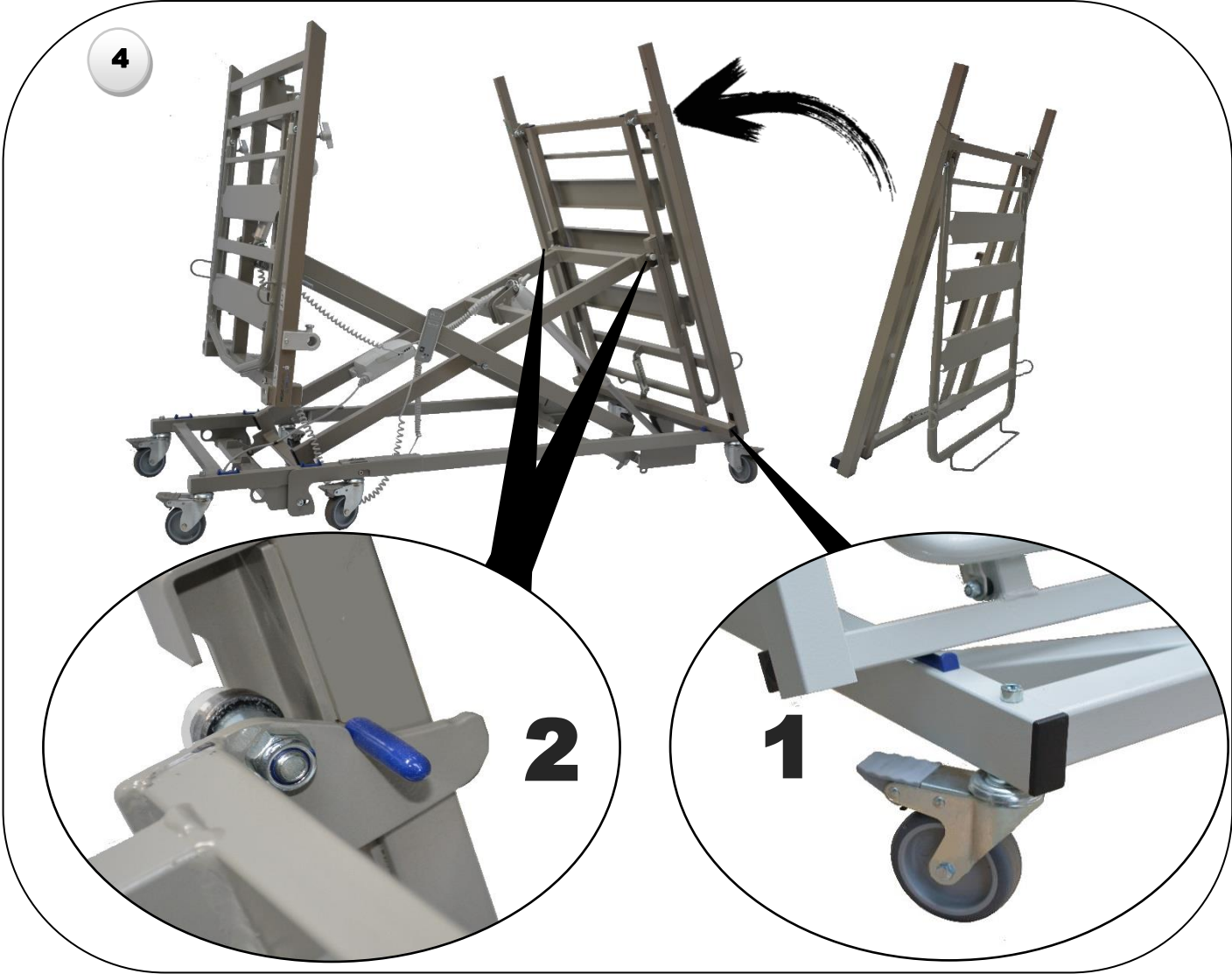
7. ASSEMBLING AND DISMANTLING

7.1. Assembling Aldrys

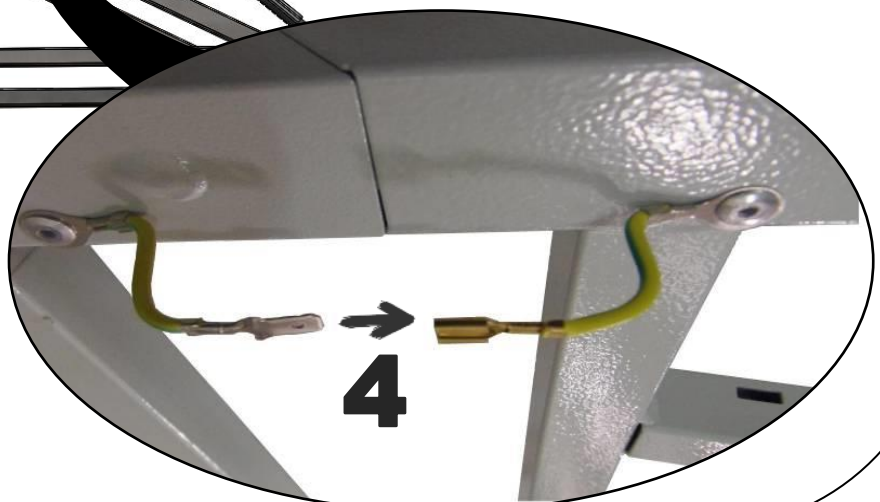
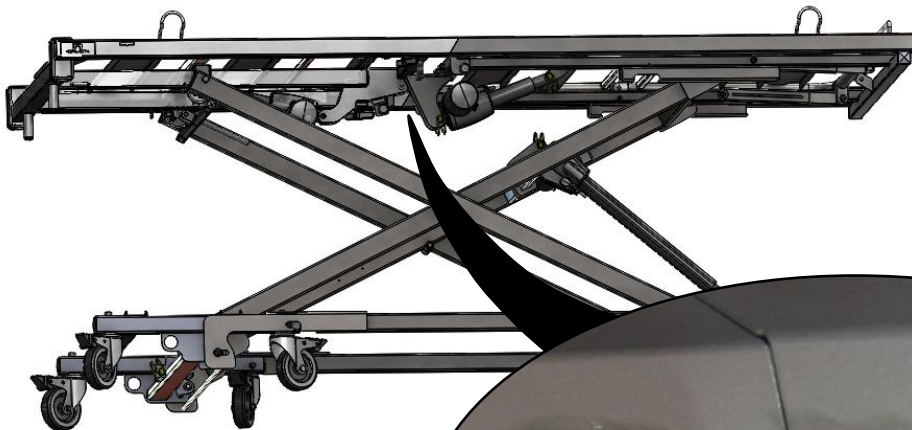
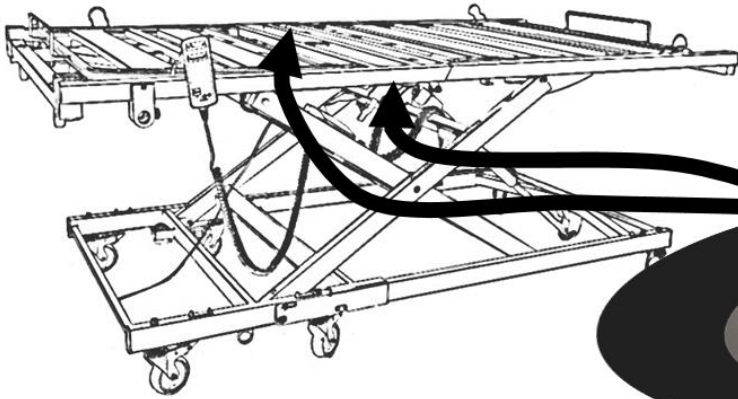


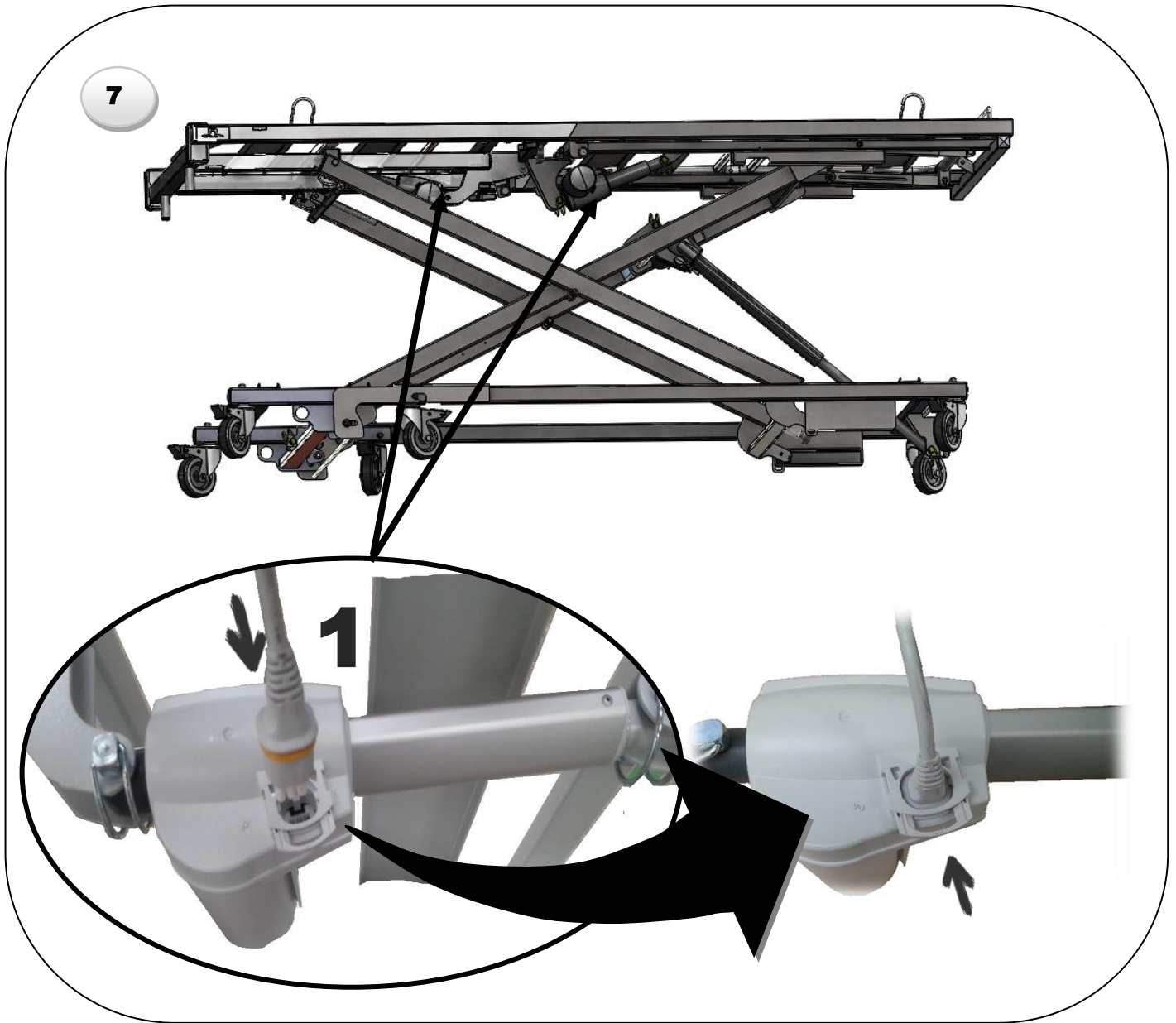
3





6

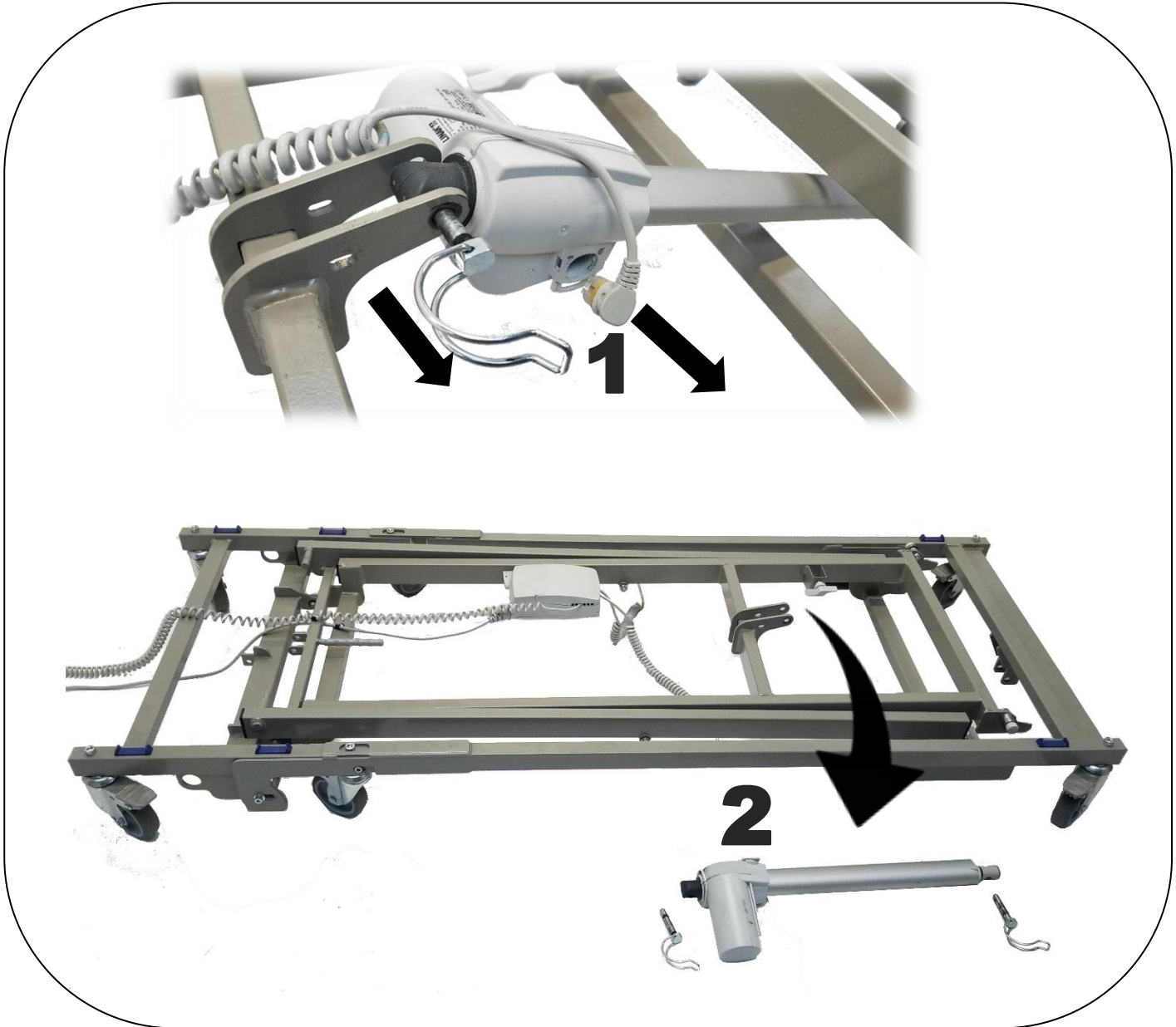


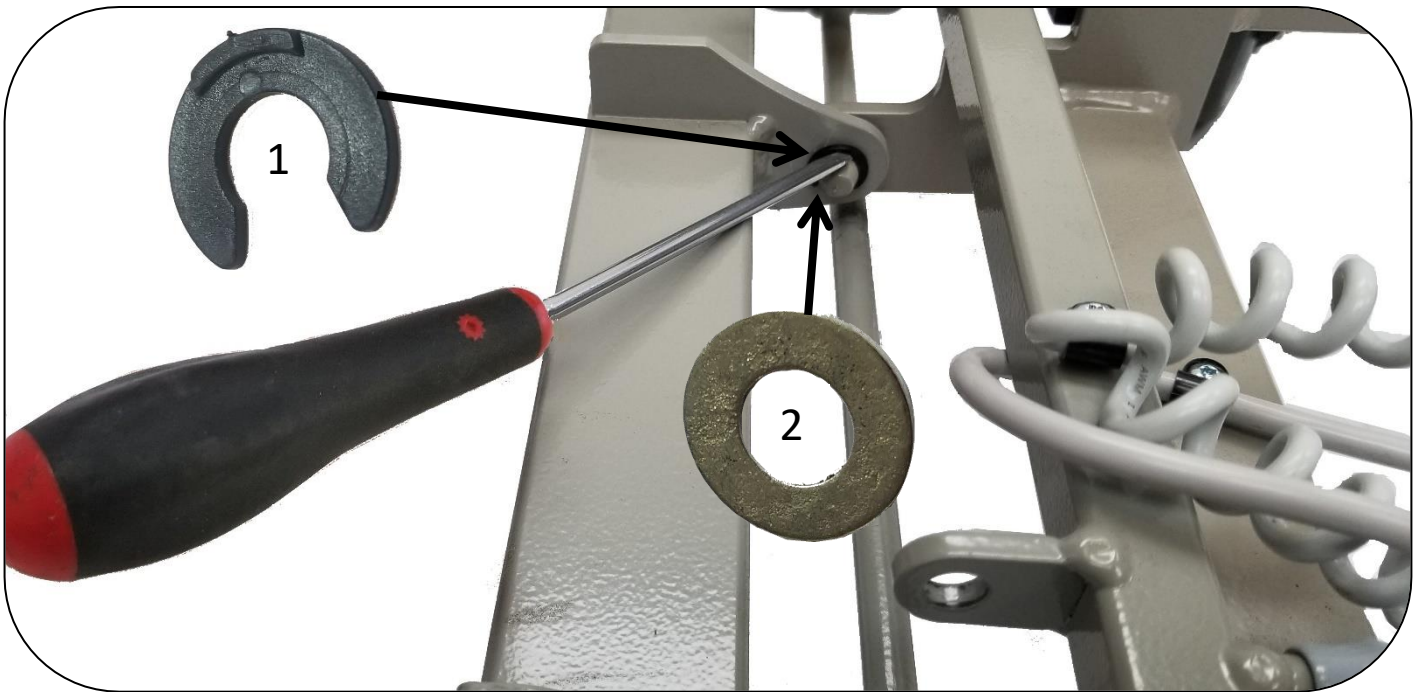
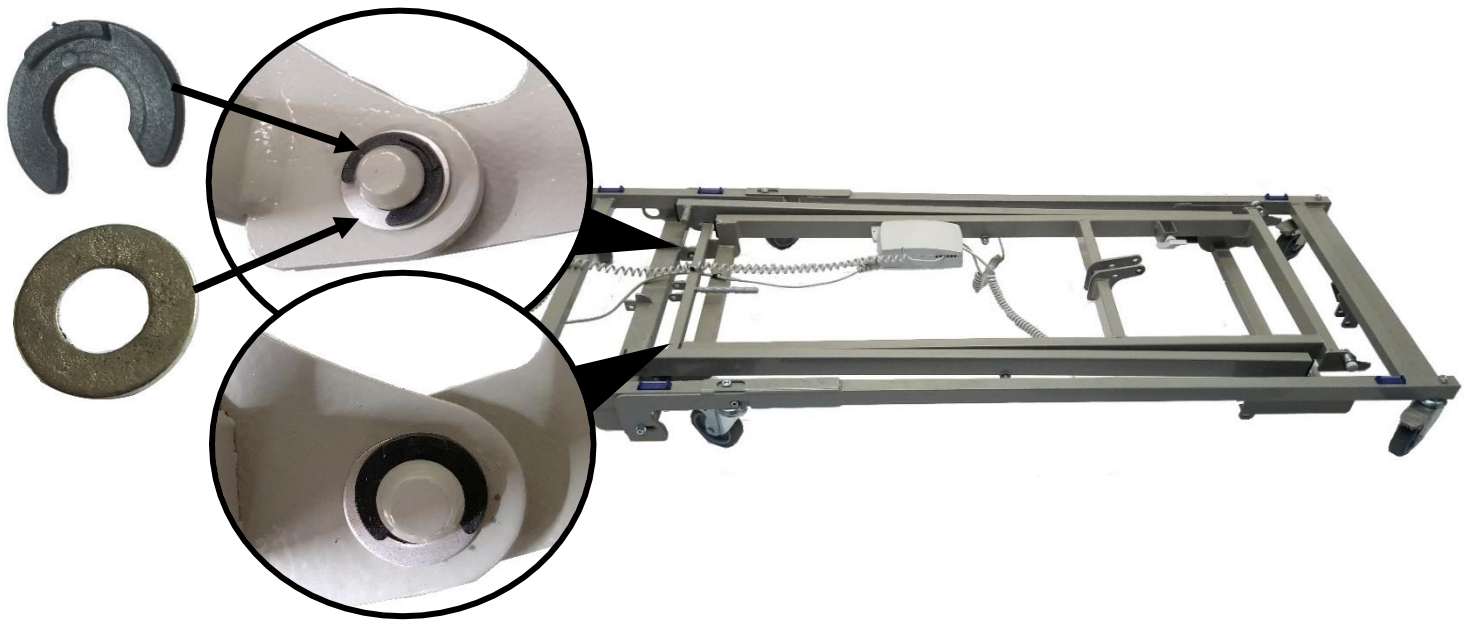


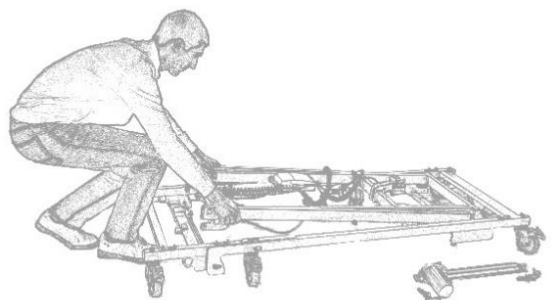
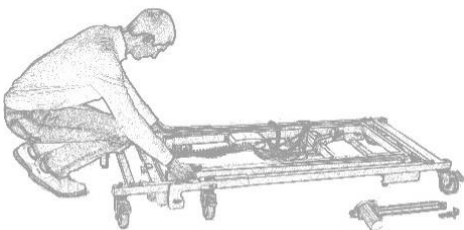
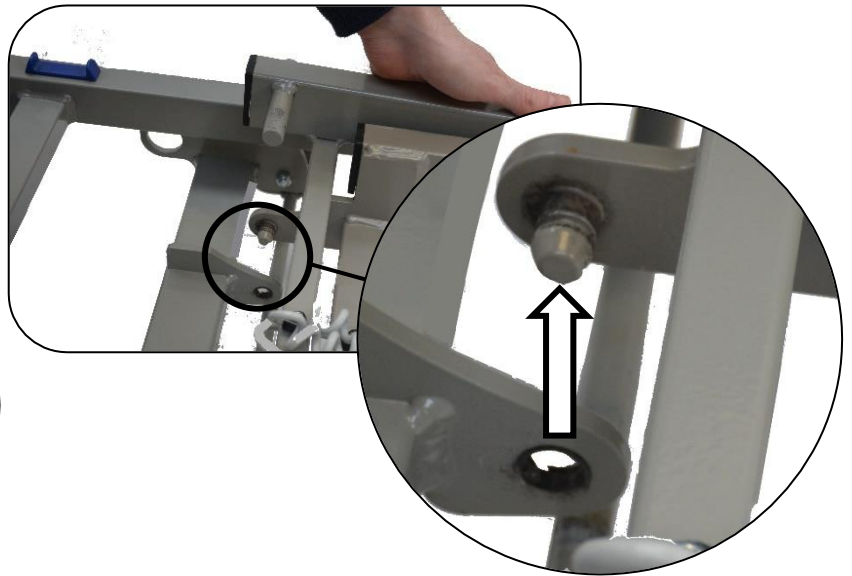
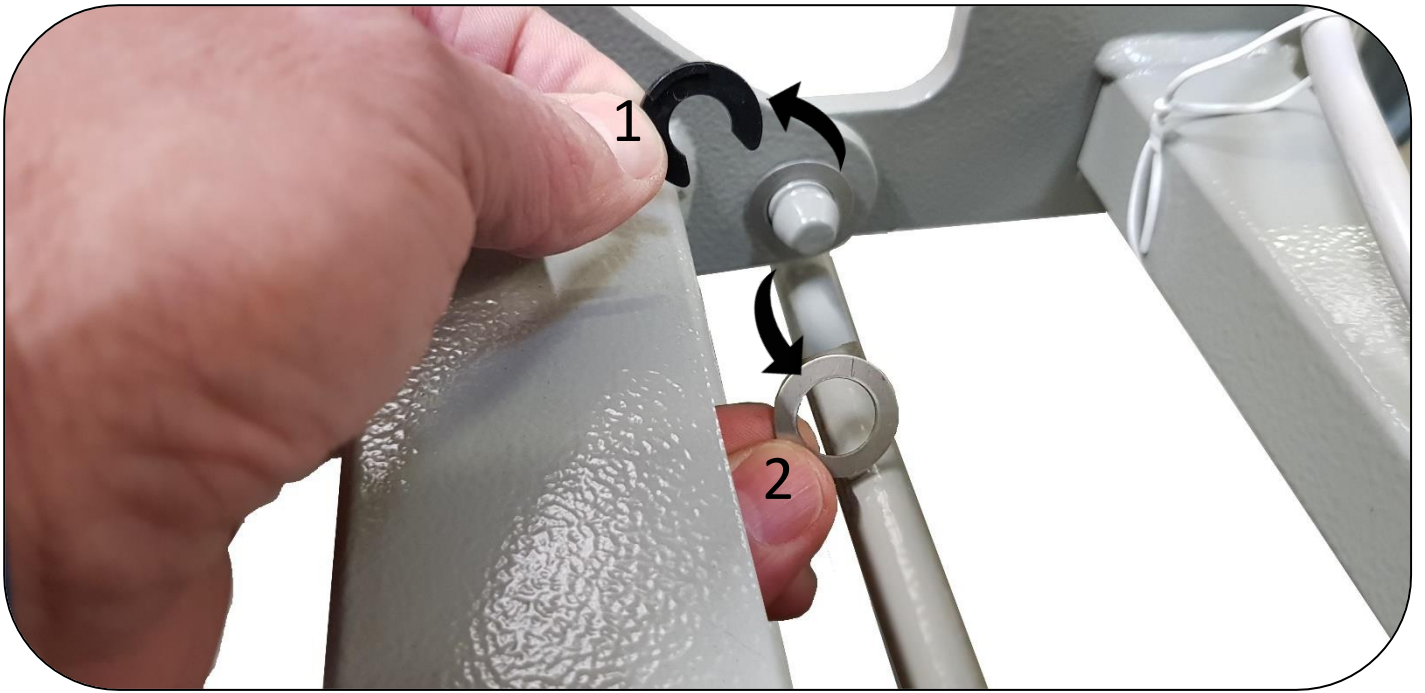
7.2. Dismantling

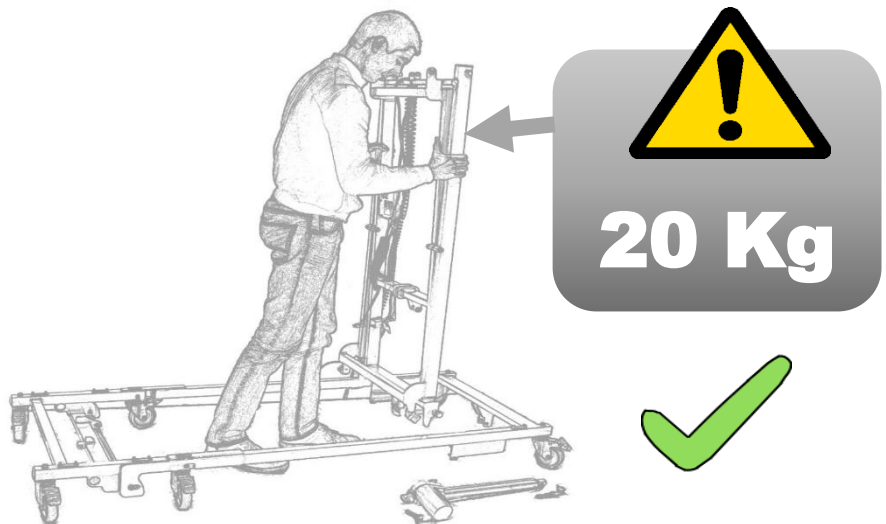
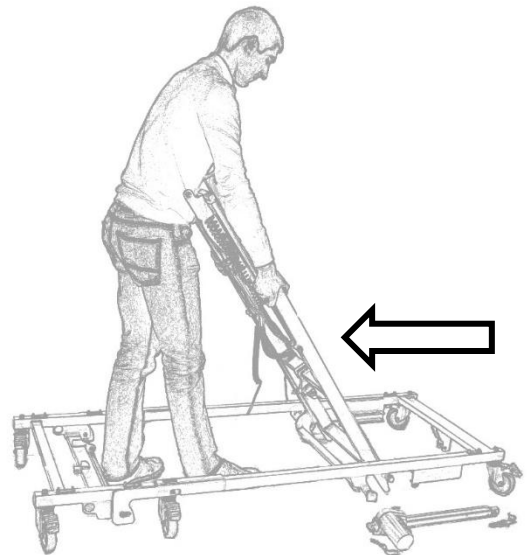
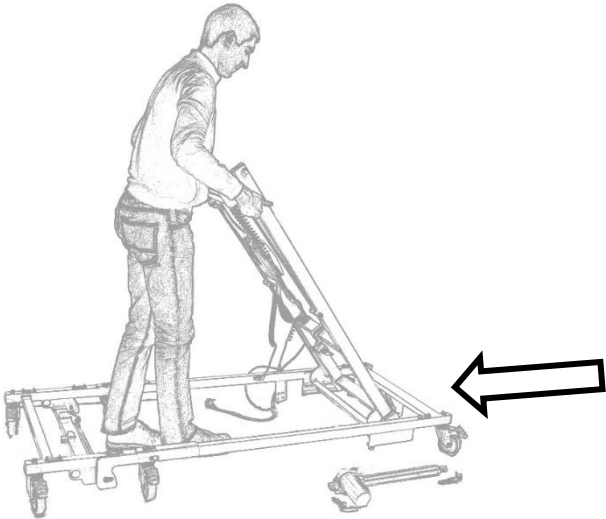
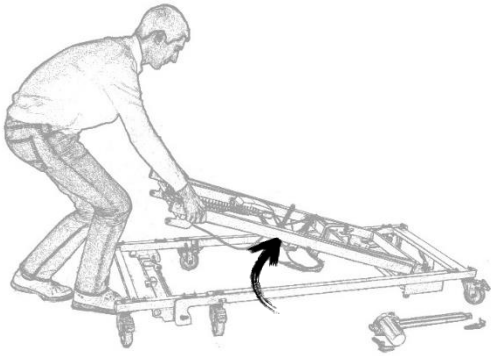
Repeat the operations in the reverse order 7 ; 6 ; 5 ; 4 ; 3 ; 2 and 1.

7.3. Dismantling the lifting system (Scissors)









To reassemble, proceed in the reverse order

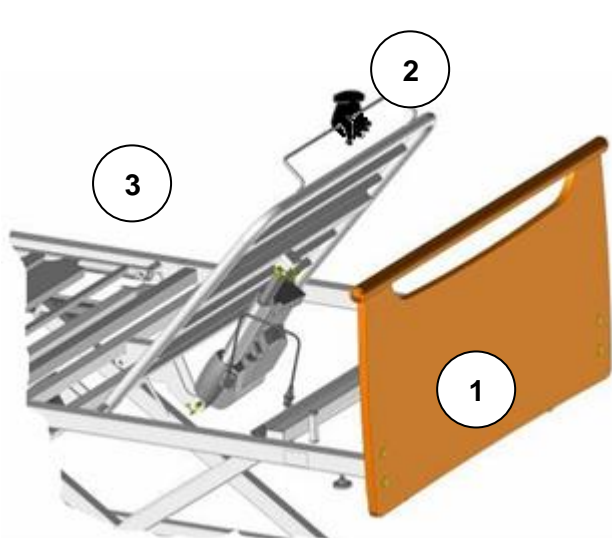
8. OPERATION OF THE SLEEPING SURFACE

8.1. Back rest

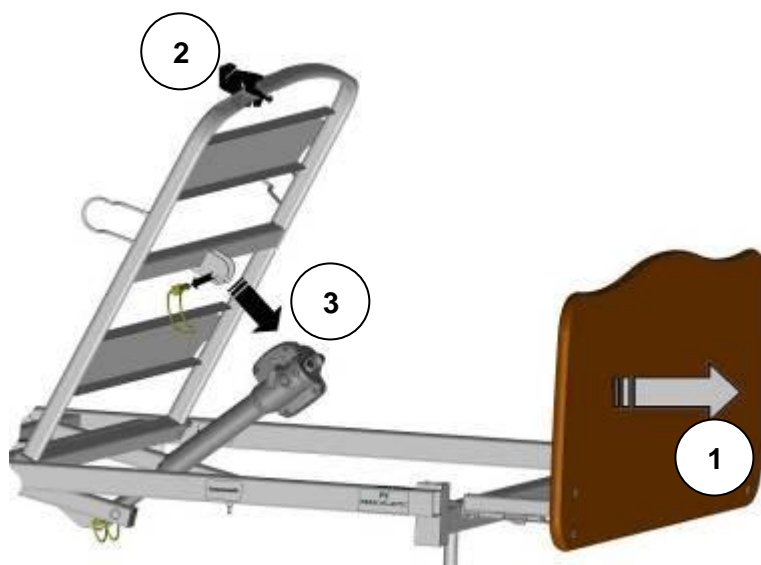
8.1.1. Standard back rest

In the event of a power cut or failure, flatten the back rest as follows :

- a) Disconnect the power supply.
- b) Dismantle the headboard ①.
- c) Stand at the head of the bed and take hold of the back rest handle ② with one hand. Push or lift to compensate the pressure exerted by the patient and unhook the clip ③ by the connecting rod with the other hand. The back rest jack will then pivot downwards.
- d) Put the headboard back.



Version with handle on the back rest

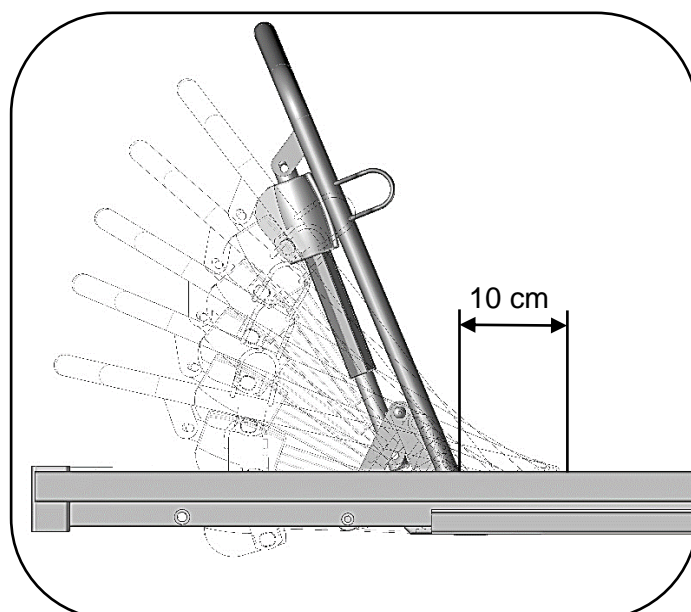


Version without handle on the back rest

8.1.2. Back rest with translation

Same operation for flattening as the standard back rest.

The back rest with translation avoids to slip forward..



8.1.3. Emergency release of the back rest (Cardio Pulmonary Resuscitation)



- 1) Grasp the back rest with one hand.
- 2) With the other hand, activate one of the two handles on the back rest while lowering.

If the handle is released, the back rest will stop moving.



Release handles



To reactivate the cardiopulmonary resuscitation system of high-load beds (270Kg), actuate the backrest electric actuator to its minimum position by pressing the down button on the remote control.

8.2. Leg rest

8.2.1. Leg rest with manual crank (C/)

To lift, lift the leg rest using the handle at the end.

To lower, relieve the leg rest slightly or to its maximum with the hand to release the catch, then lower the leg rest.

8.2.2. Leg rest with electric folding (P/)

Memory folding: This function keeps a position of the tibia section horizontal when the jack is activated upwards. To use this function, the 1st crank catch must be engaged when the leg rest is flat.

Folding without memory : the end of the tibia section stays in contact with the bed base.

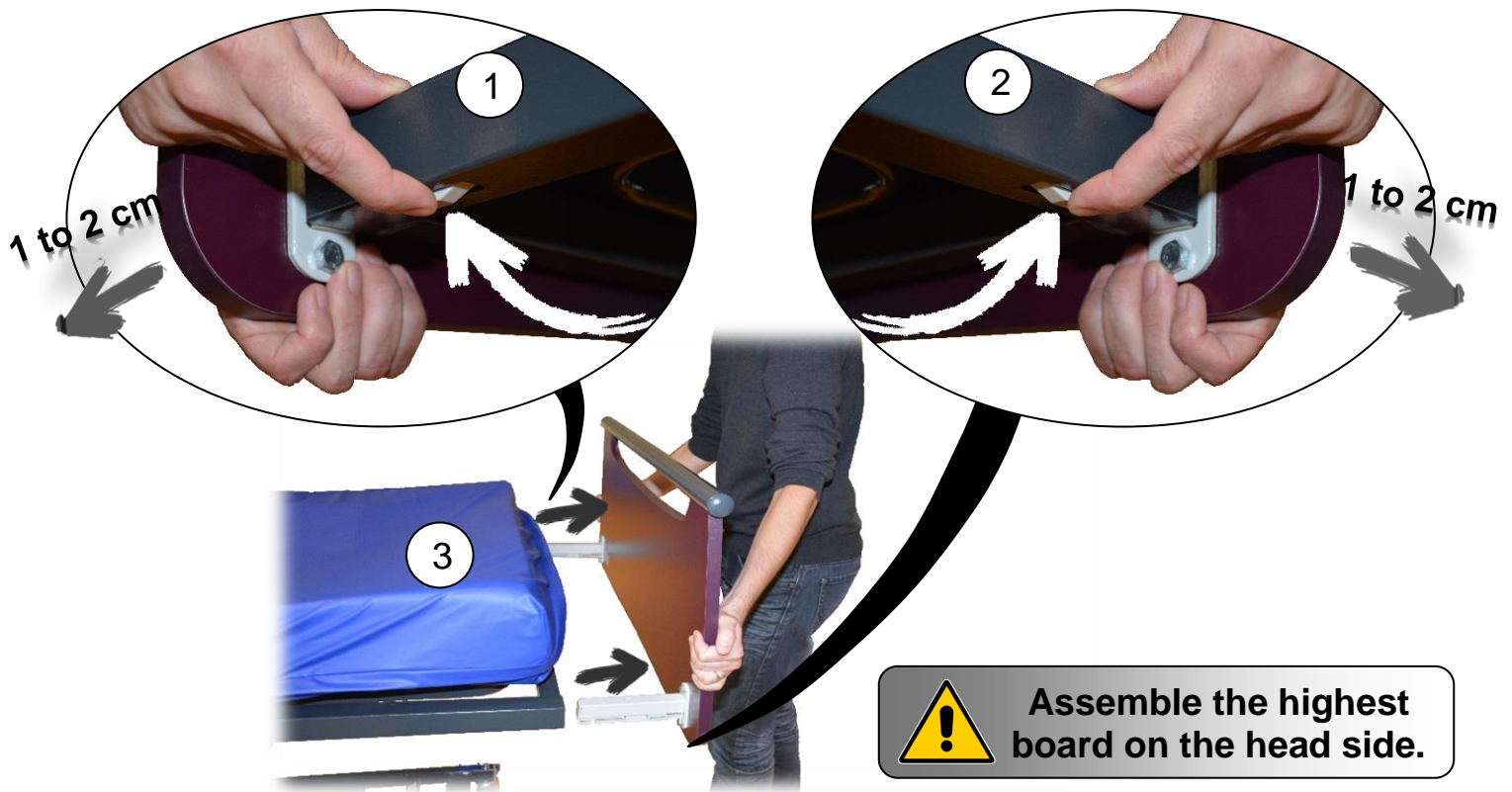
9. INSTALLATION OF ACCESSORIES

9.1. Boards

- Installing a bed board :

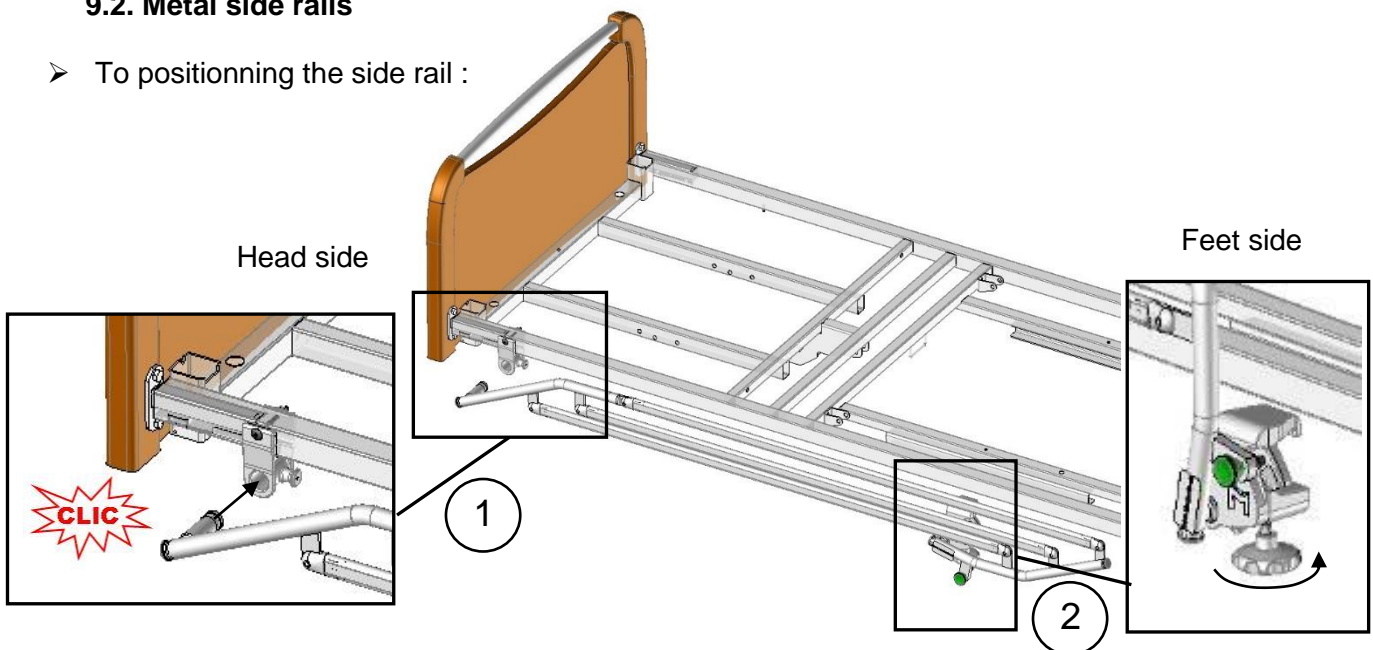


- Removing a bed board :



9.2. Metal side rails

- To positioning the side rail :



① Insert amount of the side rail folded in the grip jaw on the head side of the bed to hear “CLIC”.

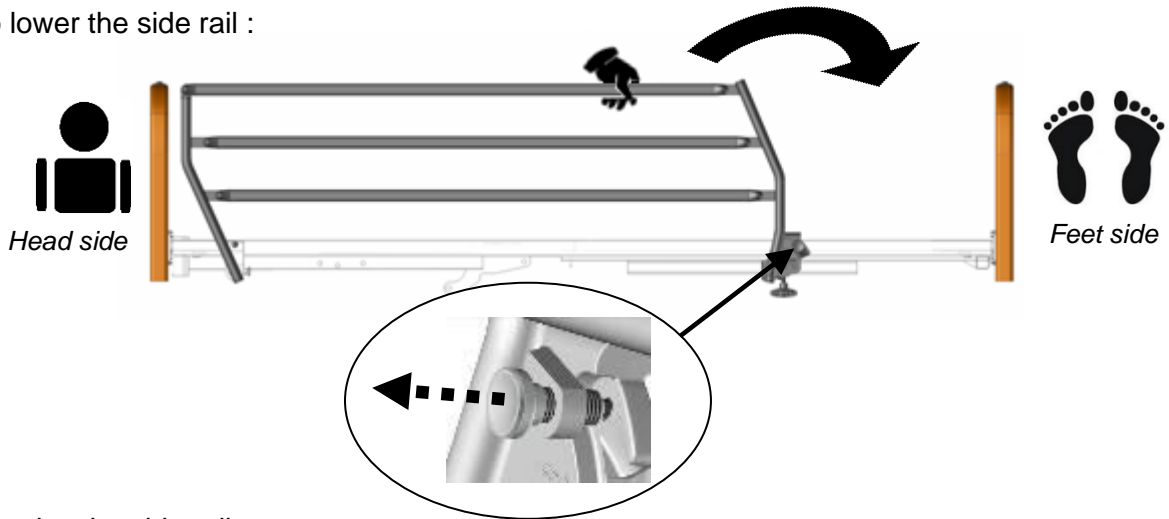
② Tighten the Rondo screws of the grip jaws on the bed base.

To remove the side rail folded, loosen the rondo on the feet side ② and then release the amount ① without removing, pulling the index finger on the side of the jaw on the head side. Take the side rail, a hand at each end to remove it completely.



If the side rail is poorly positioned, safety of the patient may be endangered or a malfunctioning may occur. The side rails must not be used when the patient is a child (under 12) or if s/he is too small (≤ 146 cm).

- To lower the side rail :



- To raise the side rail :



Check that the side rail is locked by trying to fold it without using the release pin

9.3. Wooden barriers

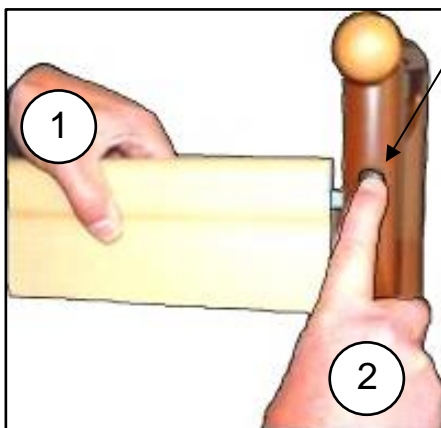
See the attached instructions for fitting the wooden side rail.

- To raise the side rail.

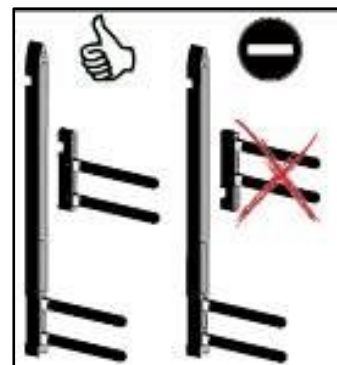
- ① Raise the top side rail with both hands until it locks.
- ② Check that it is properly slot in.

- To lower the side rail.

- ① Raise the top side rail with one hand.
- ② Press on the unlocking button with the other hand.
- ③ Support the rail as it lowers.
- ④ Repeat steps ① to ③ for the other side.



Check that the high guide engage in the right direction in the low guide.



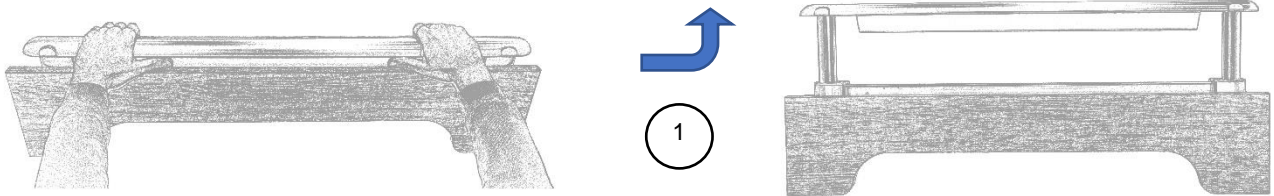
9.4. Aluminum half side rails

See the attached instructions for fitting the aluminum half side rails.

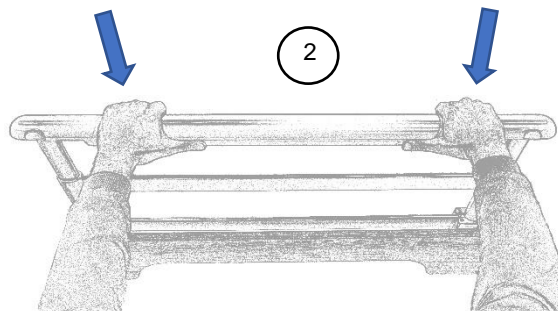
➤ To raise the side rail.

1-In intermediate position :

① Raise the top side rail with both hands until it locks.

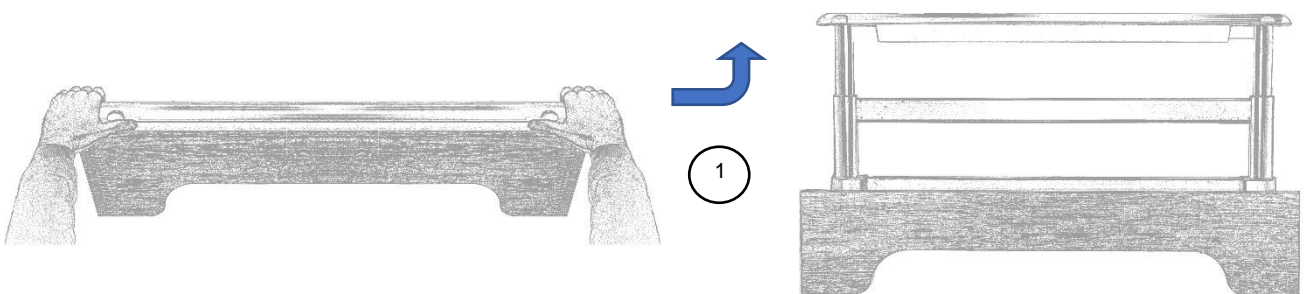


② Check that it is properly slot in by trying to get it down without using the unlocking buttons.

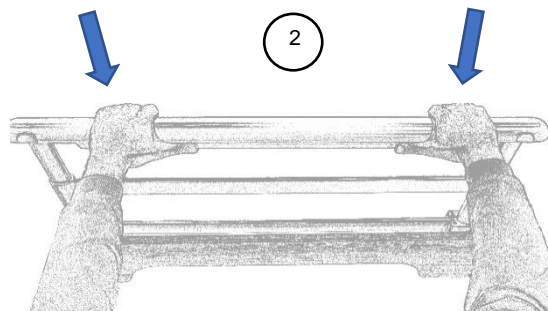


2-In high position :

① Raise the top side rail with both hands to the top by pushing the unlocking buttons then release them before the high stop.

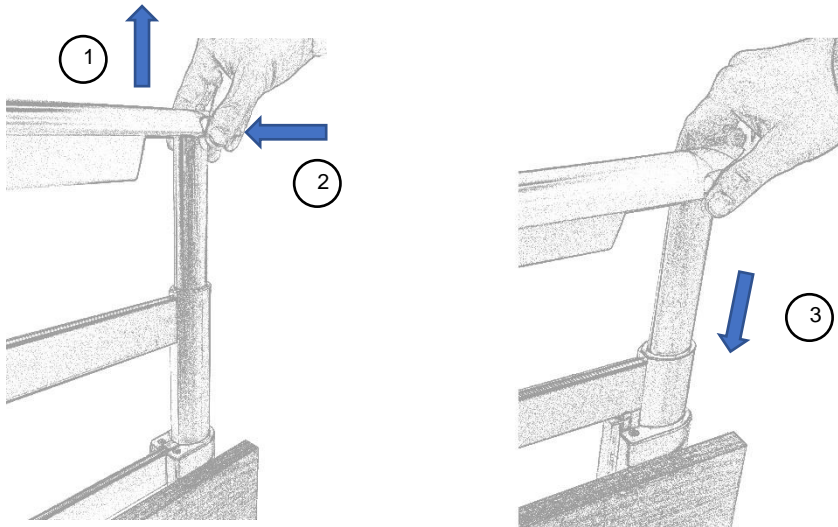


② Check that the side rail is locked by trying to fold it without using the unlocking buttons.



➤ To lower the side rail.

- ① Raise the top side rail.
- ② Press on the two unlocking buttons with both hands.
- ③ Support the rail as it lowers.



9.5. Angled lifting pole and IV stand

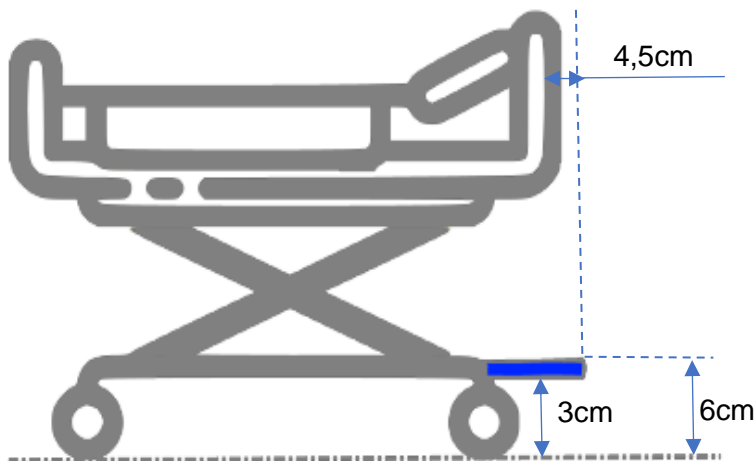
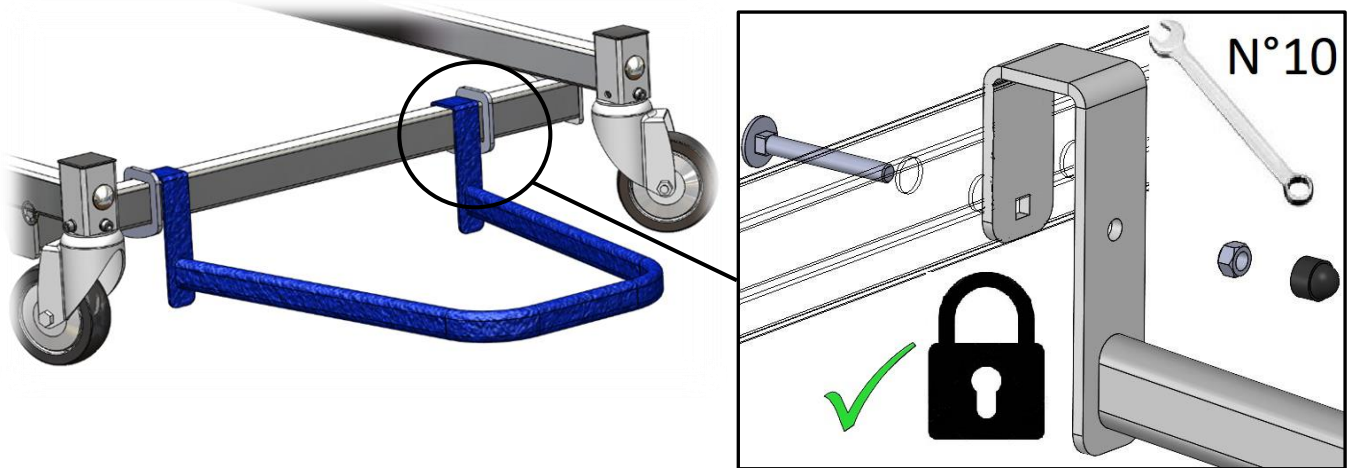
In case of psycho-behavioral problems of the patient, it is necessary to fix the stem to the bed with the screw and the washer provided.



10. USE OF SPECIFIC ITEMS

10.1. Wall stop A674-00

The wall stop can be mounted on the cross member of the head-end of the base.



10.2. Battery (option K)

The (optional) back-up battery enables you to perform 22 complete cycles when the bed is not connected to the mains.

After these 22 cycles, a beep warns you that you need to re-connect the bed to the mains to recharge the battery. However, you still have one more complete cycle of autonomy without reconnecting.

Operating instruction:

A new battery needs to be charged for 24 hours before using it for the first time.

The purpose is to have batteries in their maximum state of charge and hence increase their service life.

Storage conditions:

These must be recharged if the date of production indicated on the label is greater than or equal to 12 months.

Storage temperature

-10°C à +40°C

Battery change :

You must change the battery if it can no longer be used for 5 complete cycles when the bed is not connected to the mains.

Disconnect the battery cable from the power supply.

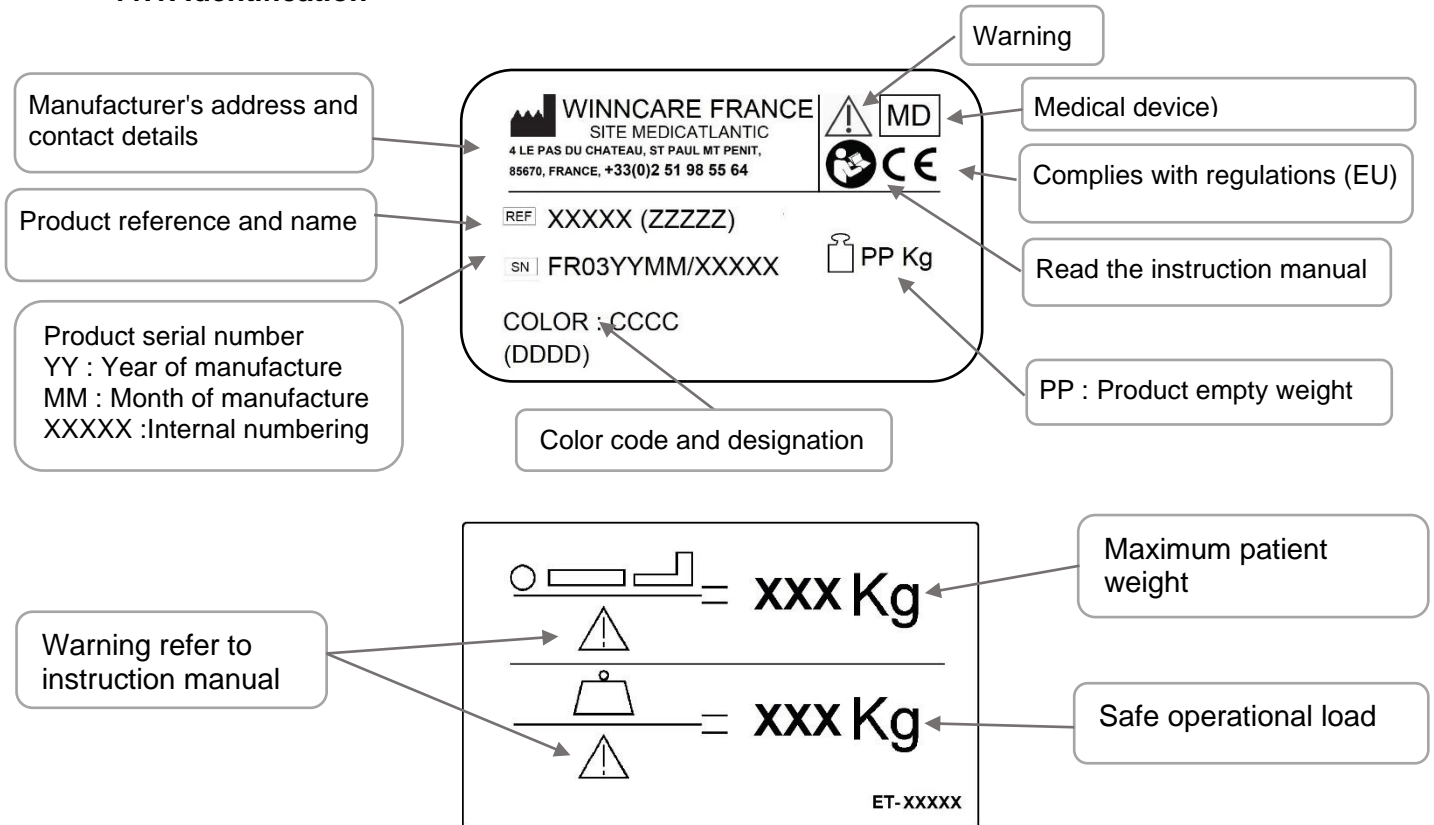
Reassemble the new battery in the reverse order of removal.

11. MAINTENANCE



No maintenance should be done in the presence of a patient on the bed.

11.1. Identification

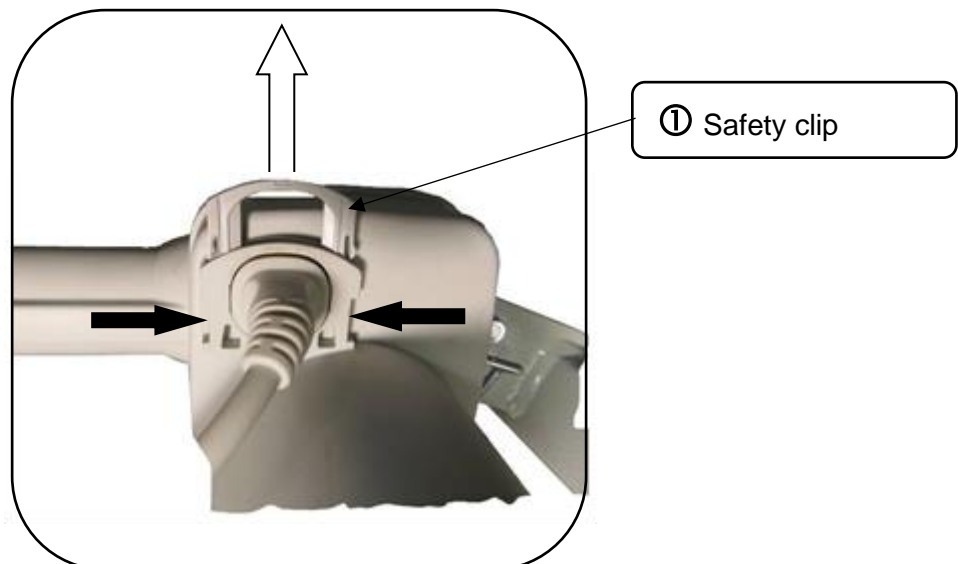


11.2. Instructions for dismantling the motors



Unplug the device before dismantling.

- Dismantle when the bed is empty or in the side position.
- If dismantling in any other position, keep a firm hold of the moving parts to avoid any shearing.
- Unblock the safety clips ①, unplug the motor leads, and remove them from the securing seals.
- Put the motors back in place and put in the same direction as at the beginning.



11.3. Maintenance

Quality control of medical beds and its accessories will be made by technical staff or trained biomedical and taking into account the normal conditions of use specified in the user guide.

The bed must be available to perform all quality control at least once a year, but also on special request and corrective maintenance on the performance that could be affected by the intervention. However, to save time this may be associated with preventive maintenance. In this case, it is not useful to make a further examination of already controlled performance.

RECOMMENDATIONS FOR PREVENTIVE MAINTENANCE:

Preventive maintenance should be carried out in accordance with our specifications and at least once a year by the organisation or person who installed the bed.

Between two maintenance sessions and at least once a year, the following should be carried out:

- Verification that the electrical leads are connected all along the metal jambs to prevent shearing of these leads when the variable height is being activated.
- Verification that all of the electrical leads and plugs are in good condition. Replacement if there is the slightest alteration (wear, shearing, damage, etc.).
- Verification of the external appearance (traces of damp and good overall condition of protective covers in particular) and that the motors and jacks function properly.
- Verification that the bed is in good working order (test all functions).
- Verification that the frame, bed base and mechanical joints are all in good condition.

When maintenance is carried out at the patient's home as part of a long-term contract, the installer must also:

- Check that the bed is properly installed (check to see that there hasn't been any modification contrary to the safety instructions made by the user since the bed's installation).
- Remind the users of the safety instructions.
- All installation and preventive maintenance operations must be recorded. See table model below. This record must be kept in a designated area throughout the bed's lifetime.

11.4. Quality inspection of medical beds



Enregistrer

Envoyer le formulaire

Réinitialiser le formulaire

FICHE 110

22/03/2023

ANNUAL MAINTENANCE OF MEDICAL BEDS

IDENTIFICATION

ESTABLISHMENT

Type model / Trademark :					
Date of manufacture :					
Serial or park number :					
Application Environment	1	2	3	4	5

VISUAL CONTROL

	Not applicable	Congruent	Improper
Identification - label		<input type="radio"/>	<input type="radio"/>
General cleanliness		<input type="radio"/>	<input type="radio"/>
Condition and attachment of head and footboards	<input type="radio"/>	<input type="radio"/>	<input type="radio"/>
Lifting pole (fastening, strap, winder, ...)	<input type="radio"/>	<input type="radio"/>	<input type="radio"/>
Sleeping surface (bedspring)		<input type="radio"/>	<input type="radio"/>
Verification of tightenings, axle, circlips + diverse nuts and bolts, pins, pivot		<input type="radio"/>	<input type="radio"/>
Remote controls (displays, lights and locking)		<input type="radio"/>	<input type="radio"/>
Bed specific side rails			
Space between head of bed and siderail (< 60 mm)*	<input type="radio"/>	<input type="radio"/>	<input type="radio"/>
Space between the half siderails (< 60 ou > 318 mm)*	<input type="radio"/>	<input type="radio"/>	<input type="radio"/>
Condition, mounting direction, adaptation to bed ...	<input type="radio"/>	<input type="radio"/>	<input type="radio"/>

FONCTIONAL CONTROL

	Not applicable	Congruent	Improper
Mobile parts (variable height, backrest, legrest, Trendelenburg...)		<input type="radio"/>	<input type="radio"/>
Remote controls including functions locking		<input type="radio"/>	<input type="radio"/>
Castors (pivoting, rolling)		<input type="radio"/>	<input type="radio"/>
Braking		<input type="radio"/>	<input type="radio"/>
Fixing of siderails and locking in high position (closed)	<input type="radio"/>	<input type="radio"/>	<input type="radio"/>
Absence of sound disturbances (squeaking, lubrications)		<input type="radio"/>	<input type="radio"/>

CPR CONTROL

	Not applicable	Congruent	Improper
Retracting headboard in case of emergency (App. envir. 1 & 2)	<input type="radio"/>	<input type="radio"/>	<input type="radio"/>
Emergency flattening of backrest		<input type="radio"/>	<input type="radio"/>

ELECTRICAL CONTROL

	Not applicable	Congruent	Improper
Status of electrical cables, plugs and connectors		<input type="radio"/>	<input type="radio"/>
Status of electrical equipment (controlbox, actuators,...)		<input type="radio"/>	<input type="radio"/>
Recurrent test following standard NF EN 62353 (see test report for more details)	<input type="radio"/>	<input type="radio"/>	<input type="radio"/>

Obsolescence :

New



Decrepit

COMMENTS

Made on :		
Name :	Signature and stamp of technician	Signature of customer

11.5. Cleaning and disinfection

High pressure cleaning, machine cleaning, washing tunnel or jet cleaning is prohibited.
Unplug the mains lead.

Check that all the electrical parts are connected together. All the sockets of the supply box must be used or filled, otherwise its watertightness is not guaranteed.

Clean the electric covers of the jacks and wired control by means of a mop impregnated with a detergent-disinfectant product.

The medical bed is a non-critical appliance requiring "Low Level" disinfection.
We draw your attention to the fact that the recommendations below are drawn up according to the rules of good practice but are not a protocol. Contact the hospital hygiene department.

➤ AIM

To recondition the bed and prevent the transmission of germs from one patient to another.

To eliminate all organic soiling by:

- physical action (cleaning)
- chemical action (disinfection)

➤ INDICATION

Physical and bacteriological cleanliness of the bed and its accessories

➤ EQUIPMENT

Microfiber wipes

Detergent or Detergent-Disinfectant (Surface DD with CE mark) and surface Disinfectant (Chlorine substances, alcohol base < 30%)

Attention: undiluted DD products falling under the status of biocide pursuant to Regulation 528/2012 relating to the availability on the market and the use of biocide products and chloride bleach shall not be used pure.. A remanence time must be applied according to the disinfectant manufacturer's instructions (the drying time without human presence is often the same as the remanence time) (Refer to the instruction manual)

SANIVAP steam appliance with accessories

➤ TECHNICAL

- Daily maintenance with a surface DD product in one operation.
- Maintenance when the patient leaves, or periodically, by the process known as *Bio cleaning* observing the 3 operations:
 - o Cleaning is done by means of a cloth soaked in a surface detergent or Detergent-Disinfectant (DD) solution
 - o Rinsing is done with cloth rinsed in clean water
 - o Disinfection is done by means of a cloth soaked in a surface disinfectant solution.
- Specific maintenance by specialist contractors after removal of the bed from the establishment:
 - o Dispose of the packaging after decontamination of the inside by spraying with a Detergent-Disinfectant solution
 - o *Bio cleaning* operation, or,
 - o Steam cleaning (accessory with microfiber band) of the flat surfaces and the base slats. Change the washing mops regularly to prevent water accumulating. Clean the parts that are difficult to access with a steam nozzle (wheels, hinges after opening, corners, etc.). For tubes, use the steam nozzle with a microfiber cloth. Never direct the nozzles onto electrical boxes or actuators.
 - o Dry hinges with compressed air
 - o Attention: Disinfect jacks, electrical boxes and remote controls with a microfiber cloth soaked in disinfectant.

Do not rinse or wipe.

- Check the operation of all the bed functions
- Repair if necessary
- Pack in thermoplastic film

Warning

- In the event of additional precautions (Contact precautions, Droplets or Air), apply the measures recommended by the hospital hygiene department
- The use of a Javel water solution of more than 5000ppm (0.5% of active chlorine) should be justified by a microbiological risk and only applied for the required time (Risk of ageing of some materials, especially their colour).
- The concentration of alcohol-based surface disinfectant solutions should be less than 30%.

Note: The use of the terminal disinfection process is compatible with the medical bed and its accessories.

11.6. Lifetime

The lifetime under normal conditions of use and maintenance is 8 years for beds and 5 years for accessories and boards.

11.7. Garanties

- All of our products carry a warranty against any manufacturing defect, provided the normal conditions for use and maintenance are complied with.
- Labour costs due to changes in structures or parts under warranty are not taken into account.
- Please refer to the standard terms of sale for the specific terms of warranty for each product.
- Every time you contact us for possible maintenance, you must quote us the information on the bed identification label and on the electric parts if these are concerned.
- Original parts shall be supplied for replacement, within the term of warranty, by our customer sales network determining the beginning of the term of warranty.
- Defective parts must be returned to ensure proper application of this warranty and also to avoid any invoicing.

11.8. Troubleshooting Guide

DEFAULT	POSSIBLE CASE	HELP
The whole bed is not working	The bed is not electrically powered	Check the electrical connection (Green power LED on controlbox)
	The remote control is fully locked	Unlock the remote control
	The infrared remote control is not powered or is not connected to the receiver.	Remove the rear cover Check batteries
		Reverse the small contactor on top of the remote control
	One or more cables are not connected properly	Check the correct connection of the electrical cables Check for the presence of anti-tear clips at the cable connections
	One or more cables are cut or pinched	Check the condition and passage of electrical cables
An electrical element is defective	Contact after sales service	
The entire bed does not work, a short and discontinuous beep sounds when a key is pressed on the remote control	The controlbox is faulty	Do a reset of the controlbox (§ Specific use) or contact after sales service if a reset is impossible
A continuous beep sounds when a key is pressed on the remote control	The backup battery has reached its last cycle	Reconnect the bed to the mains to recharge the battery
A long and discontinuous beep is emitted when the bed is in the high position (normal event)	The bed is no longer braked (position on wheels, normal event)	Press down on the variable height to remove the wheels (normal use)
The selected function of the bed does not work	The function is locked on the remote control	Unlock the function on the remote control
	The movement has reached the stop	Operate the opposite direction of movement on the remote control
	An external element blocks the mechanism	Remove the blocking element
	One or more cables are not connected properly	Check the correct connection of the electrical cables Check for the presence of anti-tear clips at the cable connections
	One or more cables are cut or pinched	Check the condition and passage of electrical cables
	An electrical element is defective	Contact after sales service
The selected function of the bed is interrupted during movement	The movement has reached the stop	Operate the opposite direction of movement on the remote control
	The movement has reached a memorized position (normal event)	Release the button on the remote control and then press (normal cycle)
	An external element blocks the mechanism	Remove the blocking element
Bed can not be moved / moves with difficulty	The putting on wheels is not carried out or incomplete	Press the remote control to put the bed on its wheels until the movement stops
	Directional wheel hinders movement	Put the pedal in the 4-wheel free position
	An external element blocks the mechanism	Remove the blocking element
	One or more wheels are defective	Contact after sales service

12. SCRAPPING

The product must be scrapped if the main requirements are no longer met, particularly when the product no longer has its original characteristics and has not been subject to corrective action during the manufacturing process.

Measures should therefore be taken to ensure that the bed is no longer used for the purpose it was originally intended.



The crossed-out bin symbol indicates that the electrical elements of the Winncare product are considered to be Electrical and Electronic Equipment (EEE), subject to EU Directive 2012/19 / EU on the Selective sorting of electrical and electronic waste (DEEE); batteries and accumulators that can be used in these products fall within the scope of the European Union and Council Directive 2006/66 / EC of 6 September 2006 on batteries and accumulators and waste batteries and accumulators. The complete product and / or the easily detachable electrical part and the batteries / accumulators contained in Winncare products must therefore be separately sorted in the countries of the European Union.

For France and DOM-TOM, Winncare provides you with suitable recycling solutions for these Electrical and Electronic Equipment (EEE), information is available on the website <https://www.winncare.fr> or by contacting the Environment Department of Winncare at n ° +33 (0)2.51.98.55.64

Winncare also encourages you to limit the possible effects of waste on the environment and public health in all other countries, by complying with local selective sorting laws, separating waste from Electrical and Electronic Equipment (EEE), as well as batteries and accumulators.



4 Le Pas du Château
85670 SAINT PAUL MONT PENIT
TEL: +33 (0)2 51 98 55 64
Email: contact@winncare.fr
Website: <https://www.winncare.fr>